



REFRIGERATOR

USER'S MANUAL

MFF 251 W

Contents

1.	SAFETY WARNINGS.....	1
2.	INSTALLTION.....	3
2.1	Location.....	3
2.2	Reversing the Door Swing	3
2.3	Door Space Requirements.....	7
2.4	Levelling the Unit	8
2.5	Cleaning Before Use	8
2.6	Before Using Your Unit.....	8
2.7	Interior Accessories.....	9
3.	PRODUCT OVERVIEW	9
4.	OPERATION	10
4.1	Switching On Your Unit	10
4.2	Noise Inside the Unit!.....	10
4.3	Tips for Keeping Food in the Unit.....	10
4.4	Change the Light Bulb	10
5.	CLEANING	11
5.1	Defrosting.....	11
5.2	Cleaning the Interior and the Exterior of the Unit	11
5.3	Cleaning Tips	11
6.	MAINTENANCE	12
6.1	Changing the Internal Light.....	12
6.2	Care When Handling / Moving Your Unit.....	12
6.3	Servicing	12
6.4	Switching Of for Long Periods of Time	12
7.	Trouble shooting	12
7.1	Warm tips:.....	13
8.	TIPS FOR ENERGY SAVING	13
9.	DISPOSAL	14

1. SAFETY WARNINGS



Warning: risk of fire / flammable materials

This appliance is intended to be used in household and similar applications such as staff kitchen areas in shops, offices and other working environments; farm houses and by clients in hotels, motels and other residential type environments; bed and breakfast type environments; catering and similar non-retail applications.

If the supply cord is damaged, it must be replaced by the manufacturer, its service agent or similarly qualified persons in order to avoid a hazard.

Do not store explosive substances such as aerosol cans with a flammable propellant in this appliance.

The appliance has to be unplugged after use and before carrying out user maintenance on the appliance..

WARNING: Keep ventilation openings, in the appliance enclosure or in the built-in structure, clear of obstruction.

WARNING: Do not use mechanical devices or other means to accelerate the defrosting process, other than those recommended by the manufacturer.

WARNING: Do not damage the refrigerant circuit.

WARNING: Do not use electrical appliances inside the food storage compartments of the appliance, unless they are of the type recommended by the manufacturer.

WARNING: Please abandon the refrigerator according to local regulators for its use flammable blowing gas and refrigerant.

WARNING: When positioning the appliance, ensure the supply cord is not trapped or damaged.

WARNING: Do not locate multiple portable socket-outlets or portable power supplies at the rear of the appliance.

Do not use extension cords or ungrounded (two prong) adapters.

DANGER: Risk of child entrapment. Before you throw away your old refrigerator or freezer:

- Take off the doors.
- Leave the shelves in place so that children may not easily climb inside.

The refrigerator must be disconnected from the source of electrical supply before attempting the installation of accessory.

Refrigerant and cyclopentane foaming material used for the refrigerator are flammable.

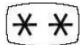


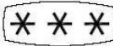
Therefore, when the refrigerator is scrapped it shall be kept away from any fire source and be recovered by a special recovering company with corresponding qualification other than be disposed by combustion, so as to prevent damage to the environment or any other harm.

For EN standard: This appliance can be used by children aged from 8 years and above and persons with reduce physical sensory or mental capabilities or lack of experience and knowledge if they have been given supervision or instruction concerning use of the appliance in a safe way and understand the hazards involved. Children shall not play with the appliance. Cleaning and user maintenance shall not be made by children without supervision. Children aged from 3 to 8 years are allowed to load and unload refrigerating appliances.

For IEC standard: This appliance is not intended for use by persons (including children) with reduced physical, sensory or mental capabilities, or lack of experience and knowledge, unless they have been given supervision or instruction concerning use of the appliance by a person responsible for their safety.)

Children should be supervised to ensure that they do not play with the appliance.

The instructions shall include the substance of the following: To avoid contamination of food, please respect the following instructions:

- Opening the door for long periods can cause a significant increase of the temperature in the compartments of the appliance.
- Clean regularly surfaces that can come in contact with food and accessible drainage systems.
- Clean water tanks if they have not been used for 48 h; flush the water system connected to a water supply if water has not been drawn for 5 days. (note 1)
- Store raw meat and fish in suitable containers in the refrigerator, so that it is not in contact with or drip onto other food.
- Two-star  frozen-food compartments are suitable for storing pre-frozen food, storing or making ice-cream and making ice cubes. (note 2)
- One  -,two  -and three-star  compartments are not suitable for the freezing of fresh food. (note 3)
- If the refrigerating appliance is left empty for long periods, switch off, defrost, clean, dry, and leave the door open to prevent mould developing within the appliance.

Note 1,2,3: Please confirm whether it is applicable according to you product compartment type.

2. INSTALLTION

2.1 Location

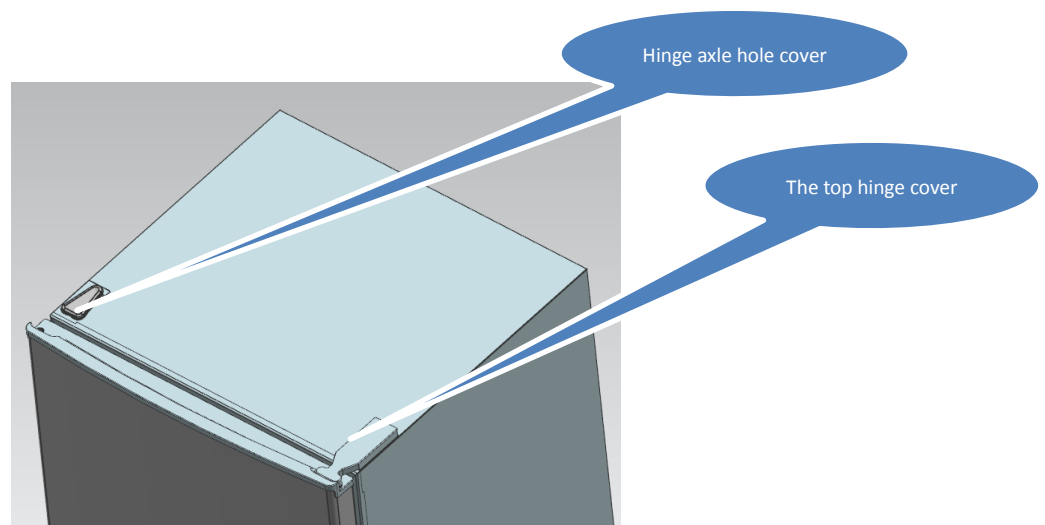
When selecting a position for your unit you should make sure the floor is flat and firm, and the room is well ventilated. Avoid locating your unit near a heat source, e.g. cooker, boiler or radiator. Also avoid direct sunlight as it may increase the electrical consumption. Extreme cold ambient temperatures may also cause the unit not to perform properly. This unit is not designed for use in a garage or outdoor installation. Do not drape the unit with any covering.

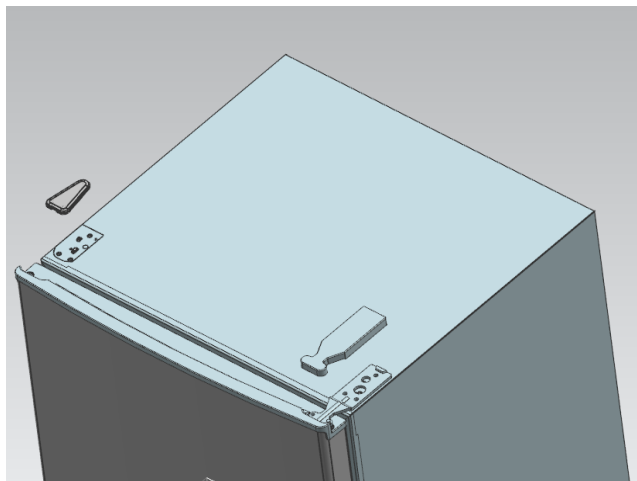
When installing the unit, ensure that 10 cm of free space is left at both sides, 10 cm at the rear and 30 cm at the top of the unit. This will allow cold air to circulate around the wine cooler and improve the efficiency of the cooling process.

2.2 Reversing the Door Swing

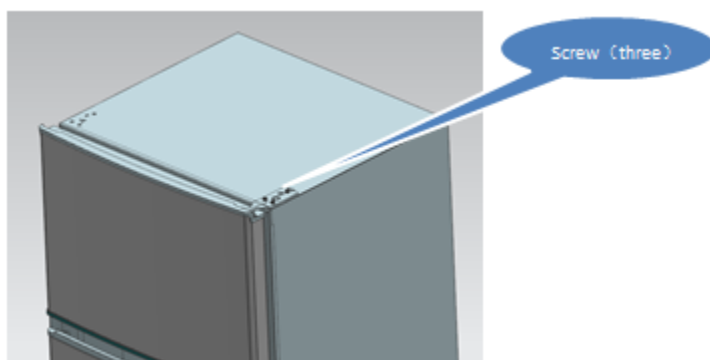
Tools Required: Phillips style screwdriver / Flat blated screwdriver / Hexagonal spanner

- 1) Remove the top hinger cover .





2) Remove the screws fixed the top-hinge with cross-slot screwdriver.

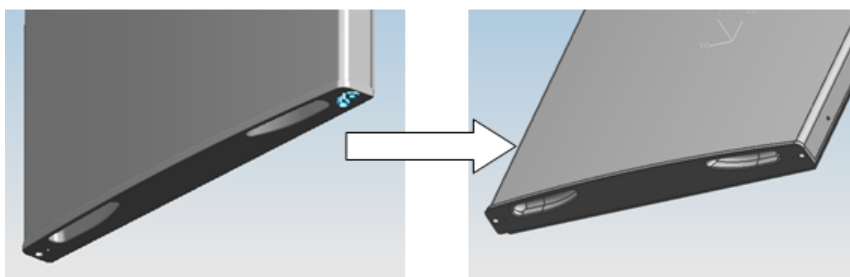


3) Replace the top-hinge and the top-door limit block and the door bearing bush to the other side.

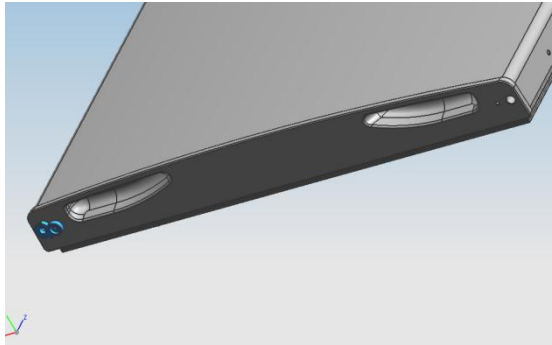
A. Remove the nut with sleeve. Take off the washer then remove the axes to the other side and fixed.



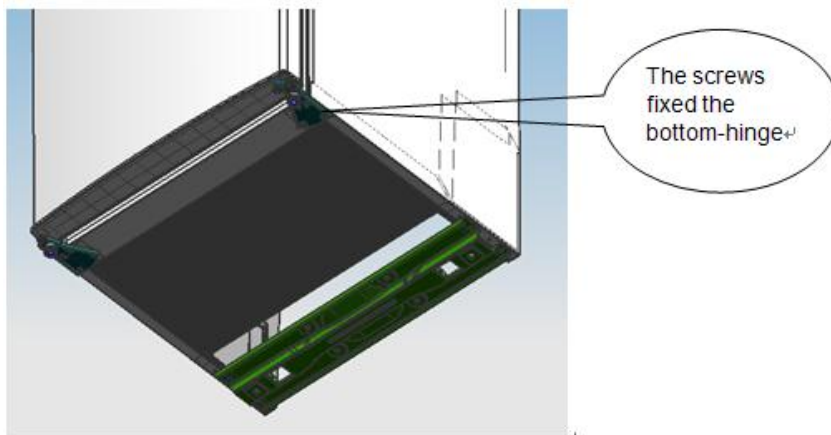
B. Remove the door limit block



C. Please taking out another door limit block, with screw mounting to the door

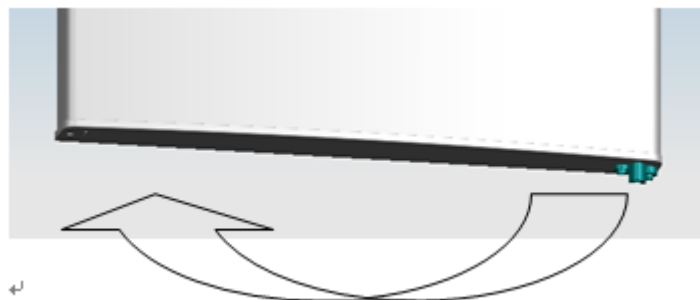


4) Disassemble the screws fixed the bottom-hinge with cross-slot screwdriver .

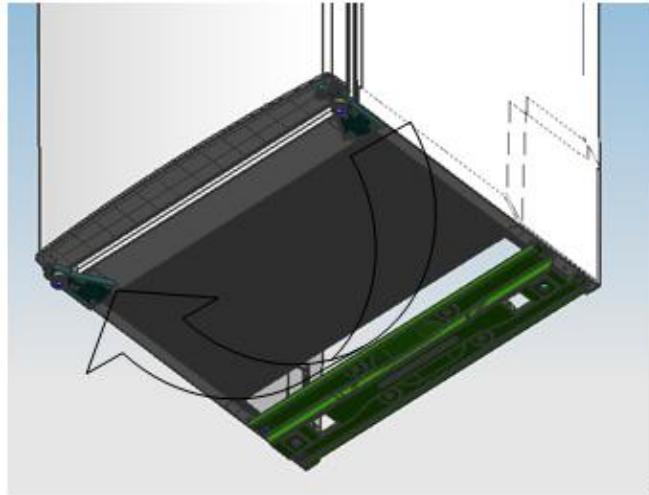


Note: the refrigerator-freezer incline angle less 45° .

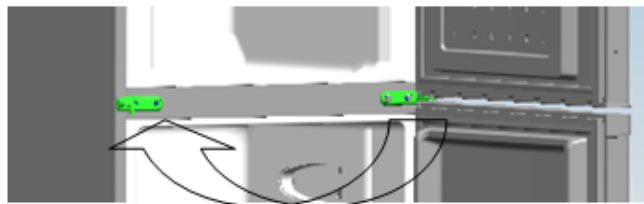
5) Replace the bottom door bearing bush and the limit block.



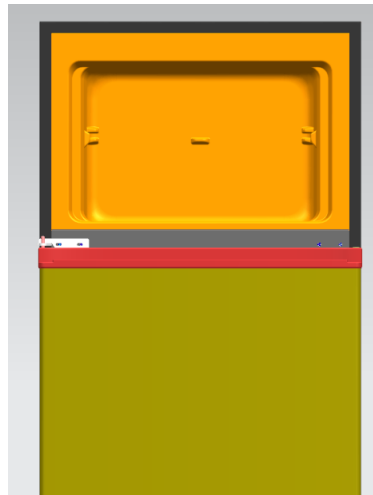
6) Replace the bottom hinge to the other side then fix it with screws.



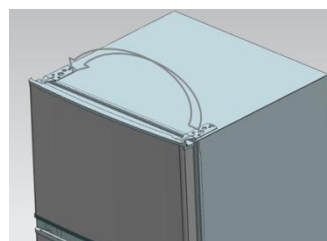
7) Replace the mid-hinge.



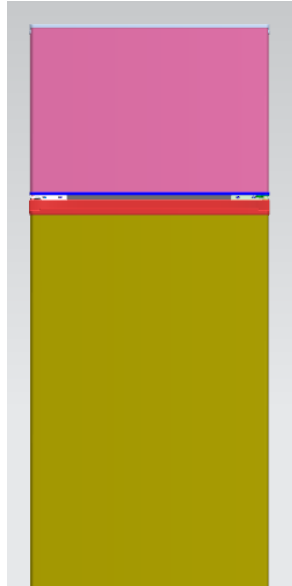
8) Set the bottom door right position, fix the mid-hinge.



9) Replace the top-hinge.



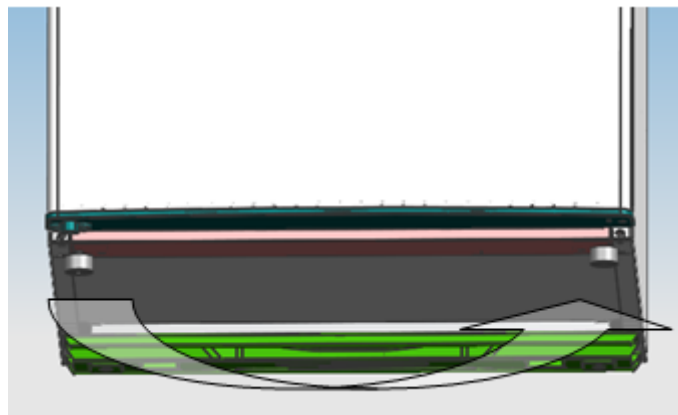
10) Set the top door right position, fix the top-hinge and the cover.



11) Install the four screw caps and two catches to corresponding position.

- Ensure the Appliance is unplugged and empty.
- Adjust the two leveling feet to their highest position.
- We recommend you have someone to assist you.

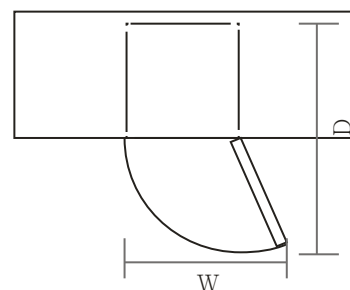
12) replace the leveler to the other side and adjust it to make sure the cabinet level.



2.3 Door Space Requirements

The unit's door must be able to open fully as shown.

$W \times D \geq 902 \times 1052\text{mm}$



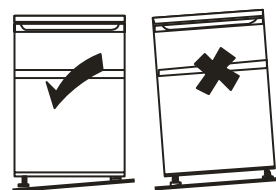
2.4 Levelling the Unit

To do this adjust the two levelling feet at the front of the unit.

If the unit is not level, the door and magnetic seal alignments will not be covered properly.

Make sure that the foot touches the ground before use.

Look down from the top, clockwise and counterclockwise loosening, tightening.



2.5 Cleaning Before Use

Wipe the inside of the unit with a weak solution of bicarbonate soda. Then rinse with warm water using a 'Wrung-out' sponge or cloth. Wash the shelves and salad bin in warm soapy water and dry completely before replacing in the unit. Clean the exterior of the unit with a damp cloth. If you require more information refer to the Cleaning section.

2.6 Before Using Your Unit

Do not damage the power cord under any condition so as to ensure safety use, do not use when the power cord is damaged or the plug is worn.

Do not put flammable, explosive, volatile and highly corrosive items in the refrigerator to prevent damages to the product or fire accidents.

Do not place flammable items near the refrigerator to avoid fires.

This product is household refrigerators and shall be only suitable for the storage of foods. According to national standards, household refrigerators shall not be used for other purposes, such as storage of blood, drugs or biological products.

Do not place items such as bottled or sealed container of fluid such as bottled beers and beverages in the freezer to prevent bursts and other losses.

Before placing any food in your unit, turn it on and wait for 24 hours, to make sure it is working properly and to allow it time to fall to the correct temperature. Your unit should not be overfilled.



◆ Before Plugging in

You must check that you have a socket which is compatible with the plug supplied with the unit.

◆ Before Turning On!


Do not turn on until two hours after moving the unit.

2.7 Interior Accessories

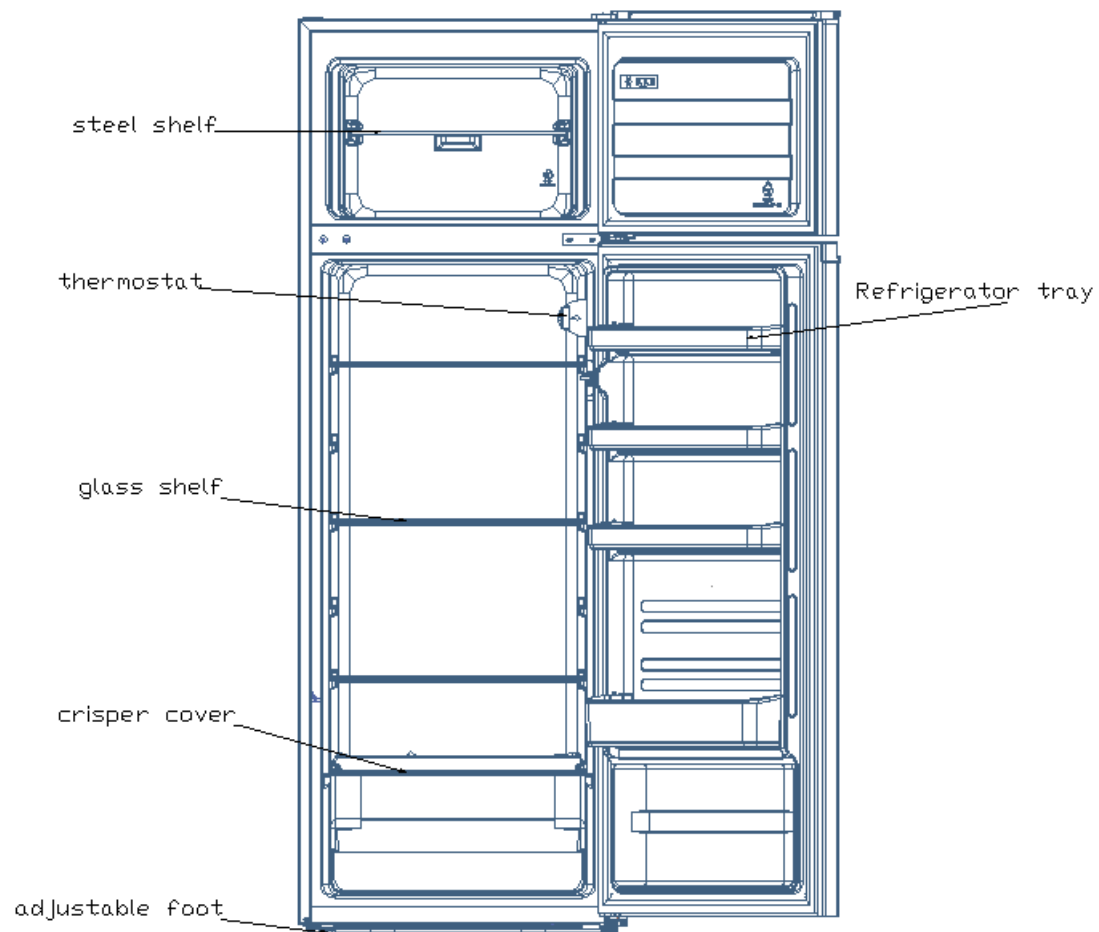
Various glass or plastic storage shelves are included with your appliance - different models have different combinations.

You should always slide one of the full size glass storage shelves into the lowest set of guides, above the fruit and vegetable containers, and keep it in this position. To do this, pull the storage shelf forward until it can be swivelled upwards or downwards and removed.

Please do the same in reverse to insert the shelf at a different height.

 In order to make the most of the volume of the fresh food storage compartment and frozen-food storage compartment, the user can remove one or more shelves, drawers, out of the appliance, according to your daily use.

3. PRODUCT OVERVIEW



*All images in this instruction manual are for indication only; please refer to your individual unit for details.

4. OPERATION

4.1 Switching On Your Unit

◆ The thermostat knob is located on the right hand side

wall of the refrigerator interior

wall of the refrigerator interior

Setting “Off”: Unit Off

Setting “Min”: Less Cool Temperature

Setting “Med”: Normal Operation (adequate for most situations)

Setting “Max”: Coolest Temperature

◆ During high ambient temperatures e.g. on hot summer days. It may be necessary to set the thermostat to the Coolest setting (position “Max”). This may cause the compressor running continuously in order to maintain a low temperature in the cabinet.

◆ For the first time you install your refrigerator, set the thermostat knob at “Med”.

Give your refrigerator time to cool down completely before adding food. It is the best to wait 24 hours before adding food. The thermostat knob controls the temperature. When the thermostat control knob is set to OFF, the refrigerator will not be running.

4.2 Noise Inside the Unit!

You may notice that your unit makes some unusual noises. Most of these are perfectly normal, but you should be aware of them!

These noises are caused by the circulation of the refrigerant liquid in the cooling system. It has become more pronounced since the introduction of CFC free gases. This is not a fault and will not affect the performance of your unit. This is the compressor motor working, as it pumps the refrigerant around the system.

4.3 Tips for Keeping Food in the Unit

◆ Cooked meats/fishes should always be stored on a shelf above raw meats/fishes to avoid bacterial transfer. Keep raw meats/fishes in a container which is large enough to collect juices and cover it properly. Place the container on the lowest shelf.

◆ Leave space around your food, to allow air to circulate inside the unit. Ensure all parts of the unit are kept cool.

◆ To prevent transfer of flavours and drying out, pack or cover the food separately. Fruit and vegetables do not need to be wrapped.

◆ Always let pre-cooked food cool down before you put in the unit. This will help to maintain the internal temperature of the unit.

◆ To prevent cold air escaping from the unit, try to limit the number of times you open the door. We recommend that you only open the door when you need to put food in or take food out.

4.4 Change the Light Bulb

Lamp replacement by professionals

5. CLEANING

5.1 Defrosting

Auto-defrost for Frost-free Refrigerator

5.2 Cleaning the Interior and the Exterior of the Unit

- ◆ Dusts behind the refrigerator and on the ground shall be timely cleaned to improve the cooling effect and energy saving.
- ◆ Check the door gasket regularly to make sure there are no debris. Clean the door gasket with a soft cloth dampened with soapy water or diluted detergent.
- ◆ The interior of the refrigerator should be cleaned regularly to avoid odor.
- ◆ Please turn off the power before cleaning interior, remove all foods, drinks ,shelves, drawers, etc.
- ◆ Use a soft cloth or sponge to clean the inside of the refrigerator, with two tablespoons of baking soda and a quart of warm water. Then rinse with water and wipe clean. After cleaning, open the door and let it dry naturally before turning on the power.
- ◆ For areas that are difficult to clean in the refrigerator (such as narrow sandwiches, gaps or corners), it is recommended to wipe them regularly with a soft rag, soft brush, etc. and when necessary, combined with some auxiliary tools (such as thin sticks) to ensure no contaminants or bacteria accumulation in these areas.
- ◆ Do not use soap, detergent, scrub powder, spray cleaner, etc., as these may cause odors in the interior of the refrigerator or contaminated food.
- ◆ Clean the bottle frame, shelves and drawers with a soft cloth dampened with soapy water or diluted detergent. Dry with a soft cloth or dry naturally.
- ◆ Wipe the outer surface of the refrigerator with a soft cloth dampened with soapy water, detergent, etc., and then wipe dry.
- ◆ Do not use hard brushes, clean steel balls, wire brushes, abrasives(such as toothpastes), organic solvents (such as alcohol, acetone, banana oil, etc.), boiling water, acid or alkaline items, which may damage the fridge surface and interior. Boiling water and organic solvents such as benzene may deform or damage plastic parts.
- ◆ Do not rinse directly with water or other liquids during cleaning to avoid short circuits or affect electrical insulation after immersion.

5.3 Cleaning Tips

Condensation may appear on the outside of the unit. This may be due to a change in room temperature. Wipe of any moisture residue. If the problem continues, please contact a qualified technician for assistance.

6. MAINTENANCE

6.1 Changing the Internal Light

Lamp replacement by professionals.

6.2 Care When Handling / Moving Your Unit

Hold the unit around its sides or base when moving it. Under no circumstances should it be lifted by holding the edges of the top surface.

6.3 Servicing

The unit should be serviced by an authorized engineer and only genuine spare parts should be used. Under no circumstances should you attempt to repair the unit yourself. Repairs carried out by inexperienced persons may cause injury or serious malfunction. Contact a qualitatively technician.

6.4 Switching Of for Long Periods of Time

When the unit is not in use for a long period of time, disconnect it from the mains supply, empty all food and clean the appliance, leaving the door ajar to prevent unpleasant smells.

7. Trouble shooting

The following simple issues can be handled by the user. Please call the after-sale service department if the issues are not settled.

Inoperation	Whether the freezer is plugged and connected to power; Low voltage; Failure power or tripping circuit
Odor	Odorous foods should closely wrapped; Whether foods are rotten; Whether the interior shall be cleaned.
Long-term operation of compressor	It is normal that refrigerator operates for longer time in summer when the ambient temperature is higher; Do not put too much food in the freezer at one time; Do not put foods until they are cooled; Frequent opening of refrigerator door.
Illuminating light does not shine	Whether the refrigerator is connected to power, whether the illuminating light is damaged.
The refrigerator door can not be properly closed.	The freezer door is stuck by food packages; Too much food; Tilt refrigerator.
Loud noises	Whether the food is leveled, whether the refrigerator is balanced; Whether the refrigerator parts are properly placed.

7.1 Warm tips:

- ◆ The refrigerator enclosure may emit heat during operation specially in summer, this is caused by the radiation of the condenser, and it is a normal phenomenon.
- ◆ Condensation: condensation phenomenon will be detected on the exterior surface and door seals of the freezer when the ambient humidity is large, this is a normal phenomenon, and the condensation can be wiped away with a dry towel.
- ◆ Buzz: Buzz will be generated by running compressor specially when starting up or shutting down.

8. TIPS FOR ENERGY SAVING

Try not to open the door too often, especially when the weather is wet and hot. Once you open the door, close it as soon as possible.

Every now and then check if the appliance is sufficiently ventilated (adequate air circulation behind the appliance).

In normal temperature conditions, please arrange the thermostat at the middle setting.

Before loading the appliance with packages of fresh food, make sure they are cooled to ambient temperature.

Ice and frost layer increase energy consumption, so clean the appliance as soon as the layer is 3-5 mm thick.


If it is the outer condenser, the rear wall should be always clean free of dust or any impurities.

- ◆ The appliance should be located in the coolest area of the room, away from heat producing appliances or heating ducts, and out of the direct sunlight.
- ◆ Let hot foods cool to room temperature before placing in the appliance. Overloading the appliance forces the compressor to run longer. Foods that freeze too slowly may lose quality, or spoil.
- ◆ Be sure to wrap foods properly, and wipe containers dry before placing them in the appliance. This cuts down on frost build-up inside the appliance.
- ◆ Appliance storage bin should not be lined with aluminum foil, wax paper, or paper toweling. Liners interfere with cold air circulation, making the appliance less efficient.
- ◆ Organize and label food to reduce door openings and extended searches. Remove as many items as needed at one time, and close the door as soon as possible.

9. DISPOSAL

Old units still have some residual value. An environmentally friendly method of disposal will ensure that valuable raw materials can be recovered and used again. The refrigerant used in your unit and insulation materials require special disposal procedures. Ensure that none of the pipes on the back of the unit are damaged prior to disposal. Up to date information concerning options of disposing of your old unit and packaging from the new one can be obtained from your local council office.

When disposing of an old unit break of any old locks or latches and remove the door as a safeguard.

Correct Disposal of this product	
	<p>Correct Disposal of this product</p> <p>This marking indicates that this product should not be disposed with other household wastes throughout the EU. To prevent possible harm to the environment or human health from uncontrolled waste disposal, recycle it responsibly to promote the sustainable reuse of material resources. To return your used device, please use the return and collection systems or contact the retailer where the product was purchased. They can take this product for environmental safe recycling.</p>

For more information, please contact the local authority or your retailer where you purchased the product.



MANUAL DE INSTRUÇÕES

FRIGORÍFICO 2 PORTAS

MODELO: MFF 251 W

Conteúdo

1.	RECOMENDAÇÕES DE SEGURANÇA	1
2.	INSTALAÇÃO	2
2.1	Localização	2
2.2	Reverter abertura de porta.....	3
2.3	Requisitos de espaço para a porta abrir.....	7
2.4	Limpar antes de usar.....	7
2.5	Antes de usar o seu frigorífico.....	7
2.6	Acessórios interiores	7
3.	Descrição geral do produto	8
4.	Funcionamento.....	8
4.1	Ligue o seu aparelho á corrente eléctrica.....	8
4.2	Ruídos no interior do aparelho	9
4.3	Dicas para guardar os alimentos	9
4.4	Mudar a lâmpada	9
5.	Limpeza.....	9
5.1	Retire todas as prateleiras do interior do frigorífico e as gavetas dos legumes.....	9
5.2	Dicas para a limpeza.....	10
6.	MANUTENÇÃO.....	10
6.1	Mudar a lâmpada interior.....	10
6.2	Assistência técnica	10
6.3	Aparelho desligado por longos períodos de tempo.....	10
7.	Problemas possíveis.....	10
8.	Dicas para poupança de energia	11
9.	Eliminação do aparelho quando deixar de funcionar	12

1. RECOMENDAÇÕES de SEGURANÇA



Aviso: Risco de fogo/materiais inflamáveis

Este eletrodoméstico destina-se a ser utilizado em aplicações domésticas e similares, tais como áreas de cozinha de pessoal em lojas, escritórios e outros ambientes de trabalho; casas de campo e por clientes em hotéis, motéis e outros ambientes residenciais; ambientes tipo alojamento e pequeno-almoço; catering e aplicações similares não retalhistas.

Se o cabo de alimentação estiver danificado, este deve ser substituído pelo fabricante, serviço após venda ou pessoas com qualificações semelhantes, a fim de evitar riscos.

Não guarde substâncias explosivas, como latas de aerossóis com um propulsor inflamável neste aparelho.

O aparelho deve ser desligado após o uso e antes de realizar a manutenção do mesmo.

ADVERTÊNCIA: Mantenha as aberturas de ventilação, no equipamento ou na estrutura embutida, sem obstruções.

ADVERTÊNCIA: Não use dispositivos mecânicos ou outros meios para acelerar o processo de descongelamento, além dos recomendados pelo fabricante.

ADVERTÊNCIA: Não danifique o circuito do frigorífico.

ADVERTÊNCIA: Não utilize aparelhos elétricos dentro dos compartimentos de armazenamento de alimentos, a menos que sejam do tipo recomendado pelo fabricante.

ADVERTÊNCIA: Deve manusear e eliminar o frigorífico de acordo com as normas locais, pois este usa gases inflamáveis e produtos de refrigeração.

ADVERTÊNCIA: Ao posicionar o equipamento certifique-se de que o cabo de alimentação não está preso ou danificado.

ADVERTÊNCIA: Não coloque várias tomadas portáteis ou fontes de alimentação portáteis na parte traseira do dispositivo.

Não use cabos de extensão ou adaptadores de dois pinos não ligados à terra.

PERIGO: Risco de aprisionamento de crianças. Antes de deitar fora o seu antigo frigorífico ou congelador:

- Tire as portas.

- Deixe as prateleiras no lugar para que as crianças não possam subir facilmente para dentro.

O frigorífico deve ser desligado da fonte de alimentação elétrica antes da instalação de acessórios.

O material refrigerante e ciclopentano utilizados no frigorífico são inflamáveis. Portanto, quando se desligar o equipamento, o mesmo deve ser mantido longo de uma fonte de incêndio, evitando danos ambientais ou outro tipo de danos.

Para norma EN: Este eletrodoméstico pode ser utilizado por crianças com idade igual ou superior a 8 anos e por pessoas com capacidades físicas, sensoriais ou mentais reduzidas ou falta de experiência e conhecimento, desde que tenham recebido supervisão ou instruções relativas à utilização segura do equipamento e compreendidos os perigos envolvidos. As crianças não devem brincar com o equipamento. A limpeza e a manutenção não devem ser realizadas por crianças sem supervisão. Crianças com idade entre os 3 e 8 anos podem carregar e descarregar alimentos dos aparelhos de refrigeração.

Para a norma IEC: Este eletrodoméstico não deve ser utilizado por pessoas (incluindo crianças) com capacidades físicas, sensoriais ou mentais reduzidas, ou falta de experiência e conhecimento, a menos que tenham recebido supervisão ou instruções relativas ao uso do equipamento por uma pessoa responsável pela sua segurança.

As crianças devem ser supervisionadas para garantir que não brincam com o eletrodoméstico.

As instruções devem incluir a seguinte matéria: Para evitar a contaminação dos alimentos, respeite as seguintes instruções:

- A abertura da porta por longos períodos de tempo pode causar um aumento significativo da temperatura nos compartimentos do equipamento.
- Limpe regularmente as superfícies que possam entrar em contato com alimentos e sistemas de drenagem acessíveis.
- Limpe os tanques de água se eles não tiverem sido usados por 48h; lave o sistema de água ligado a uma fonte de água, caso esta não tenha sido retirada pelo período de 5 dias. (nota 1)
- Armazene carne crua e peixe em recipientes adequados no frigorífico, para que não fiquem em contato ou pinguem em outros alimentos.
- Os compartimentos de alimentos congelados de duas estrelas são adequados para armazenar alimentos pré-congelados, armazenar ou confeccionar gelados e cubos de gelo. (nota 2)
- Os compartimentos de duas e três estrelas não são adequados para congelar alimentos frescos. (nota 3)
- Se o equipamento for deixado vazio por longos períodos, desligue, descongele, limpe, seque e deixe a porta aberta para evitar o desenvolvimento do molde dentro do aparelho.

Nota 1,2,3 : Confirme se é aplicável de acordo com o tipo de compartimento do produto.

2. INSTALAÇÃO

2.1 Localização

Quando escolher o local para o seu frigorífico assegure-se que o chão é liso e firme, assim como a divisão é bem ventilada e a temperatura da mesma oscila entre os 16°C e os 43°C. Evite colocar o seu aparelho perto de uma fonte de calor, como um forno, um radiador ou uma caldeira. Evite também colocá-lo debaixo de luz solar directa, pois isso irá aumentar o consumo de energia do seu aparelho

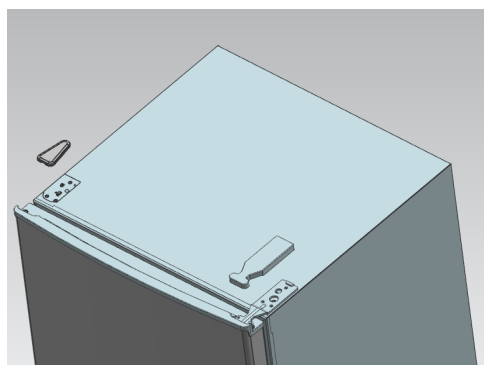
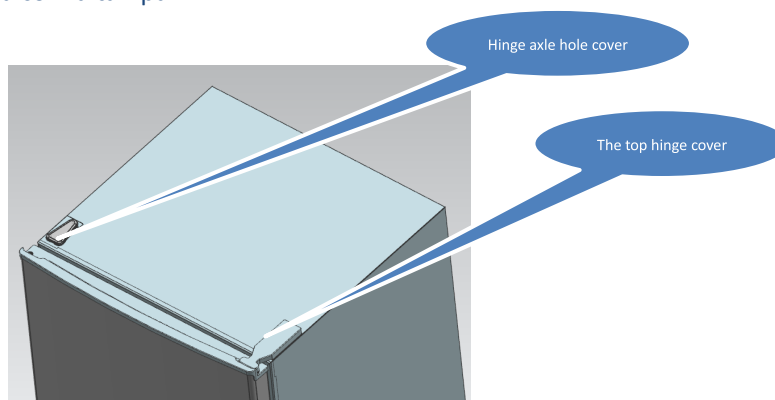
Um ambiente excessivamente aquecido pode também causar um mau funcionamento do frigorífico. Este aparelho não foi concebido para ser utilizado em garagens ou instalações ao ar livre. Não tape o aparelho com qualquer tipo de capa. Quando fizer a instalação do seu frigorífico deixe um espaço livre de 10 cm em cada lado do aparelho e na parte traseira e de 30 cm na parte superior. Isso vai permitir a

circulação do ar em volta do aparelho e melhorar a eficiência do processo de refrigeração.

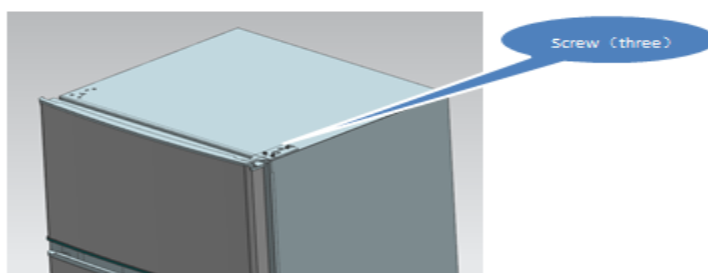
2.2 Reverter abertura de porta

Ferramentas necessárias: Chave de parafusos tipo “PHILLIPS”, normal e de estrela

- 1) Retire a tampa da parte superior direita deixando as partes eléctricas a descoberto, deixa a parte esquerda com a tampa.



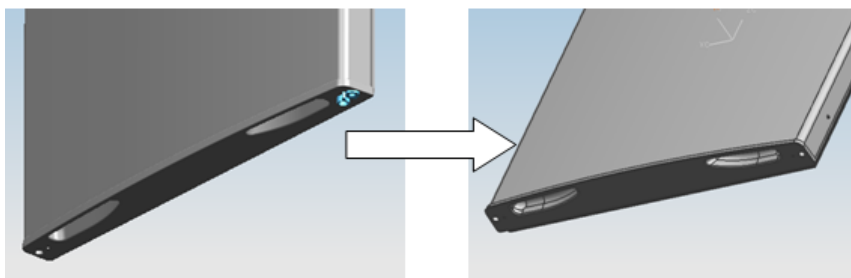
- 2) Retire os três (3) parafusos, que ligam a porta á dobradiça, com uma chave de estrela.



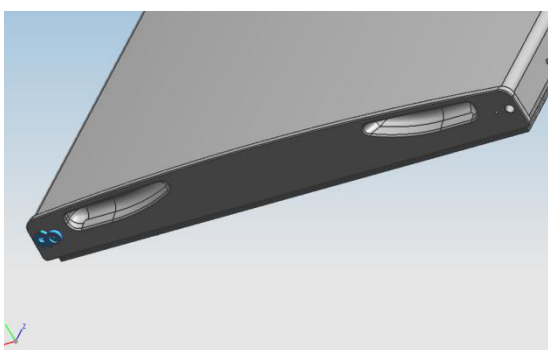
- 3) Reverta todo o processo para montar a porta de moda abrir para o outro lado.
 - A. Faça como na imagem em baixo, troque o parafuso de lado, se estava á direita mude-o para a esquerda.



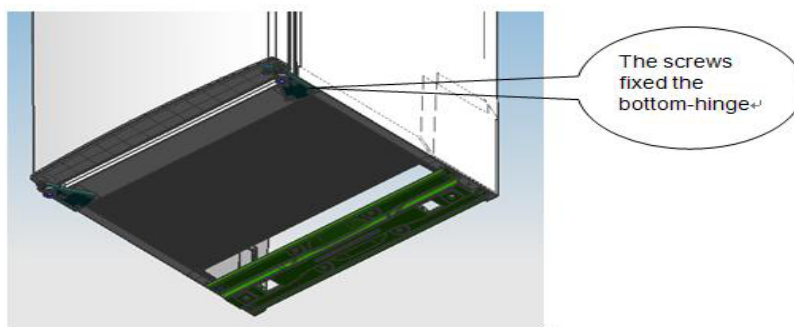
- B. Retire o bloqueio final da porta como se vê na imagem em baixo.



- C. Por favor retire o outro bloqueio da porta (a azul na imagem), para o por do outro lado, tal como fez com o parafuso no início do processo.

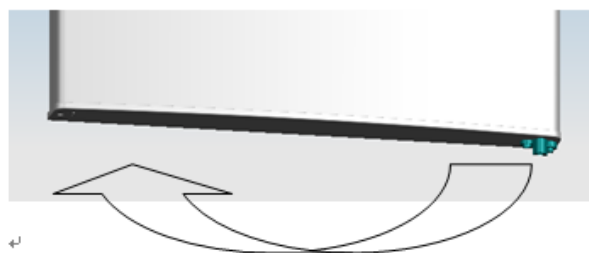


- 4) Retire os parafusos da parte inferior do frigorífico tal como fez na parte superior, utilizando uma chave de estrela.

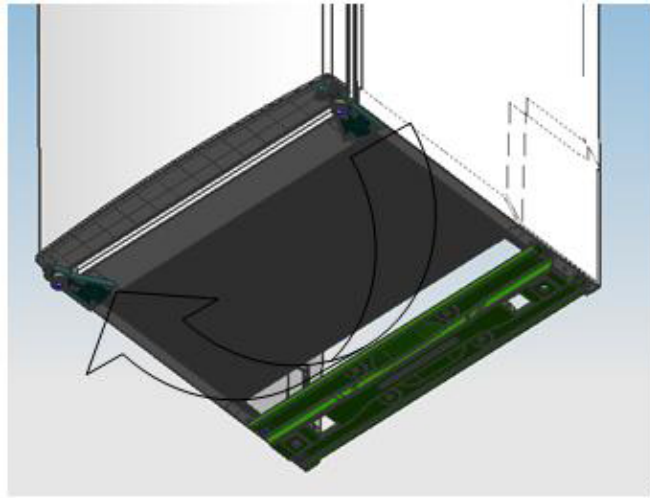


Nota: Não incline o aparelho mais do que 45°.

- 5) Reponha os parafusos e bloqueios, como mostra a imagem.



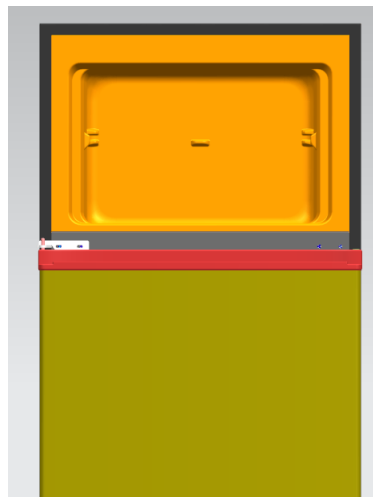
- 6) Reponha todas as dobradiças e do outro lado e fixe-as com os parafusos.



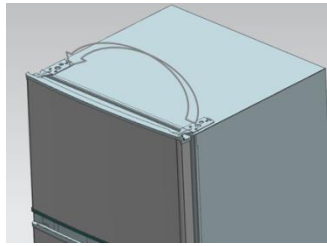
- 7) Reponha as ligações do meio.



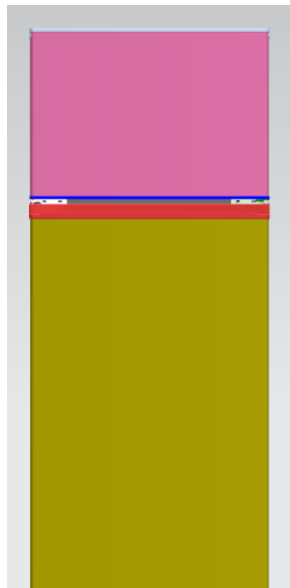
- 8) Fixe a porta na posição correcta fixando-a nas ligações a meio (peças verdes na imagem).



9) Ponha a tampa superior no seu lugar.



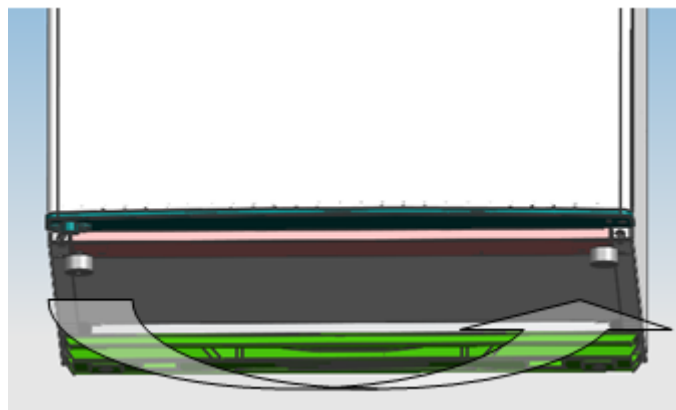
10) Regule a parte superior na posição correcta antes de a fixar e tapar.



11) Ponha as tampas nos parafusos e as coberturas destes parafusos na posição correspondente.

- Assegure-se que o aparelho está desligado da corrente e vazio.
- Ajuste os pés para a posição mais alta.
- Recomendamos que tenha consigo alguém para o ajudar.

12) Mude a patilha de nivelamento para o outro lado e assegure-se que o aparelho fica nivelado.



2.3 Requisitos de espaço para a porta abrir

A porta do aparelho deve abrir na totalidade.

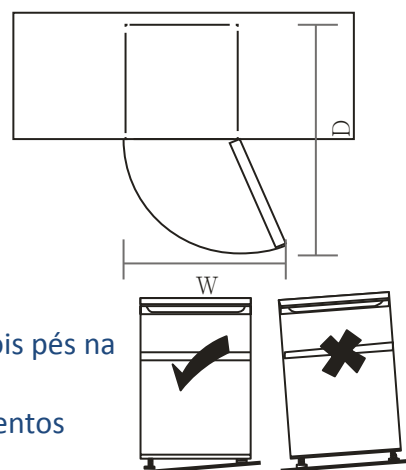
$W \times D \geq 902 \times 1052 \text{mm}$

Nivelamento

Para fazer o nivelamento é necessária a utilização dos dois pés na parte frontal do aparelho.

Se o aparelho não estiver nivelado, a porta e os alinhamentos magnéticos não funcionarão devidamente.

. Olhe para baixo e regule os pés rodando no sentido dos ponteiros do relógio ou o inverso até atingir o nivelamento. Veja a figura W



2.4 Limpar antes de usar

Limpe o interior do aparelho com uma solução suave de bicarbonato de sódio. Em seguida limpe com água morna utilizando uma esponja que não risque ou um pano suave. Lave as prateleiras e a caixa dos legumes com água morna com detergente e seque completamente com um pano. Limpe o exterior do aparelho com um pano húmido. Se necessitar mais informação veja na secção de Limpeza.

2.5 Antes de usar o seu frigorífico

Não danifique o fio eléctrico, para se assegurar de uma utilização com segurança.

Não ligue o aparelho se o fio estiver danificado ou a ficha demasiado quente.

Não ponha produtos inflamáveis, explosivos, voláteis ou altamente corrosivos no frigorífico, para evitar danos ou acidentes.

Não deixe produtos inflamáveis perto do frigorífico para evitar fogos.

Este aparelho é um frigorífico de uso doméstico e deve ser utilizado unicamente para guardar alimentos. De acordo com as normas, um frigorífico destinado a uso doméstico não deve ser usado para outros fins, tais como armazenamento de sangue, drogas ou produtos químicos. Não ponha no congelador do seu frigorífico garrafas com bebidas ou alimentos, pois as mesmas podem rebentar e causar danos ou acidentes.

Antes de pôr qualquer tipo de alimentos no seu frigorífico, ligue-o pelo menos 24 horas antes para se assegurar que o mesmo está a funcionar correctamente. Não deve encher demasiado o seu frigorífico.



◆ Antes de ligar á corrente eléctrica

Deve certificar-se que a ficha é compatível com a tomada eléctrica

◆ Antes de pôr a funcionar

Não ponha o frigorífico a funcionar antes de terem passado pelo menos 2 horas desde que o mesmo foi movido.

2.6 Acessórios interiores

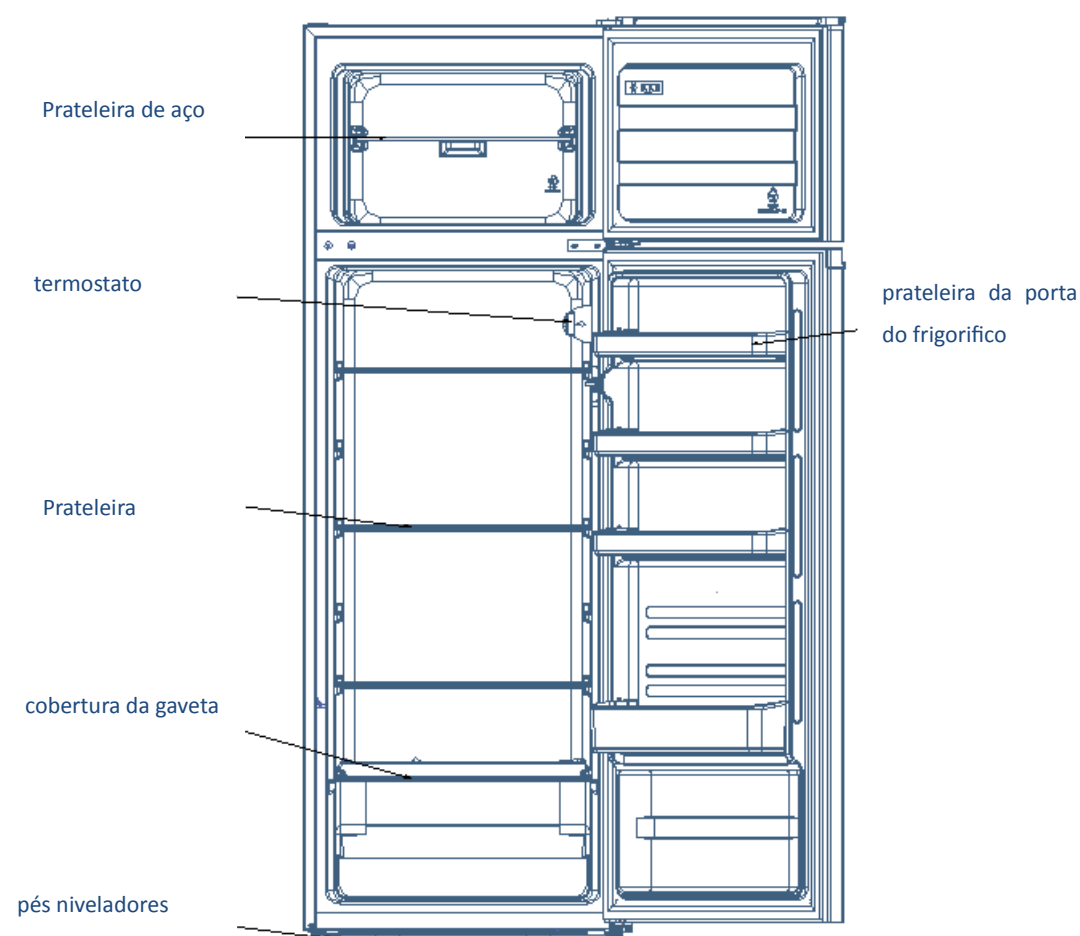
Várias prateleiras ou gavetas em vidro ou plástico fazem parte do seu frigorífico, modelos diferentes poderão ter uma combinação diferente de acessórios. Deve

deixar sempre uma prateleira de vidro no último lugar mesmo por cima da gaveta da fruta e legumes.

Para fazer isso, puxe a prateleira e mova para baixo ou para cima e remova-a. Faça o mesmo no inverso para voltar a pôr a prateleira numa altura diferente.

! Se necessitar guardar uma maior quantidade de alimentos nos compartimentos do frigorífico ou no congelador, pode retirar uma ou mais prateleiras ou gavetas do aparelho, segundo as necessidades do seu dia-a-dia.

3. Descrição geral do produto



* Todas estas imagens são unicamente de referência, veja o seu aparelho para detalhes, uma vez que a disposição interior de prateleiras e gavetas pode variar de um modelo para outro.

4. Funcionamento

4.1 Ligue o seu aparelho á corrente eléctrica.

◆ O botão do termostato está na parte lateral direita, no interior do frigorífico.

Botão na posição " off ", o aparelho está desligado

Botão na posição "Min", a temperatura está no mínimo

Botão está na posição "Med", temperatura ideal para a maioria das situações

Botão está na posição “Max”, temperatura mais fria

◆ Em ambientes muito quentes ou durante os dias mais quentes de Verão, deve pôr o termostato na posição “Max”. É provável que o compressor trabalhe continuamente para manter uma temperatura baixa no interior do frigorífico.

◆ O botão do termostato regula a temperatura. Quando o botão do termostato estiver na posição “off”, o frigorífico está desligado.

Na 1ª vez que ligar o frigorífico, faça-o na posição “Med”. Dê ao seu frigorífico tempo para arrefecer completamente antes de lhe pôr dentro os alimentos. O ideal seria esperar 24 horas até guardar alimentos no seu interior.

4.2 Ruídos no interior do aparelho

Pode notar algum ruído estranho no interior do seu frigorífico, a maior parte são perfeitamente normais, mas deve de qualquer modo estar atento. Os ruídos são causados pela circulação do líquido de refrigeração no interior do sistema de arrefecimento. Estes ruídos são mais pronunciados desde que se introduz CFC livre de gases. Isto não é um defeito e não afectará o desempenho do seu frigorífico. É o motor do compressor a trabalhar para fazer circular o líquido refrigerador pelo sistema.

4.3 Dicas para guardar os alimentos

Comida cozinhada deve ser guardada na prateleira acima dos alimentos crus, para evitar a transferência de bactérias. Guarde a carne ou peixe por cozinhar em recipientes suficientemente grandes para suportarem os sucos dos alimentos e devidamente fechados. Ponha o recipiente na prateleira mais baixa.

Deixe espaço entre os alimentos que guardar para que o ar possa circular.

Certifique-se que todas as partes do aparelho se mantêm frias.

Para prevenir a transferência de sabores entre os alimentos e que estes sequem com o frio embale os alimentos separadamente. Não é necessário fazê-lo com a fruta e os vegetais.

Deixe sempre a comida cozinhada arrefecer antes de a guardar no frigorífico. Isto vai permitir a temperatura interna do aparelho, não sendo assim necessário o motor trabalhar mais tempo e em consequência poupar mais energia.

Para prevenir a saída do ar frio de dentro do frigorífico, tente reduzir ao máximo as vezes que abre a porta. Recomendamos que abra a porta somente quando necessitar guardar ou retirar alimentos do frigorífico.

4.4 Mudar a lâmpada

A lâmpada deve ser trocada por alguém com conhecimentos técnicos.

5. Limpeza

Limpeza do exterior e interior do frigorífico

5.1 Retire todas as prateleiras do interior do frigorífico e as gavetas dos legumes.

-As poeiras atrás do frigorífico, bem como no chão, devem ser limpas periodicamente de forma a melhorar o efeito de arrefecimento e a economia de energia.

-Verifique a borracha da porta regularmente para certificar de que não há detritos. Limpe-a com um pano macio humedecido em água e sabão ou detergente diluído em água.

-O interior do frigorífico deve ser limpo regularmente para evitar odores.

-Por favor, desligue o eletrodoméstico antes de limpar o interior, removendo todos os alimentos, bebidas, prateleiras, gavetas, etc.

-Use um pano macio ou uma esponja para limpar o interior do frigorífico com duas colheres de sopa de bicarbonato de sódio e um litro de água morna. Em seguida, lave com água e limpe. Após a limpeza abra a porta e deixe secar naturalmente antes de ligar.

-Nas áreas mais difíceis de limpar (zonas estreitas, brechas ou cantos) recomenda-se uma limpeza regular com um pano suave, uma esponja, etc., e quando necessário combinar com algumas ferramentas auxiliares (como varetas finas) para garantir que não se acumulem bactérias nessas áreas.

- Não use sabão, detergente, bicarbonatos, spray de limpeza, etc., visto que podem causar odores no interior do frigorífico ou contaminar os alimentos.
- Limpe a área de garrafeira, prateleiras e gavetas com um pano humedecido em água com sabão, detergente diluído na água, etc. Seque com um pano macio ou deixe secar ao ar.
- Limpe a superfície externa do frigorífico com um pano suave humedecido em água com sabão, detergente diluído na água, etc, e depois passe um pano seco.
- Não use esfregões, esfregões de aço inoxidável, escovas de arame, abrasivos (como pasta dos dentes), solventes orgânicos (como álcool, acetona, óleo de banana, etc.), água quente, produtos ácidos ou alcalinos, os quais podem danificar a superfície externa do frigorífico e o interior. Água quente e solventes orgânicos, como o benzeno, podem deteriorar ou danificar as zonas em plástico.
- Não enxague diretamente com água ou outros líquidos durante a limpeza, de forma a evitar curtos circuito ou afetar o isolamento eléctrico após imersão.

5.2 Dicas para a limpeza.

Pode aparecer condensação no exterior do aparelho, isso pode ser consequência de uma alteração da temperatura na divisão onde está o aparelho. Limpe qualquer resíduo de humidade, Se o problema persistir por favor contacte um técnico qualificado para a assistência desse tipo de aparelhos.

6. MANUTENÇÃO

6.1 Mudar a lâmpada interior.

A lâmpada deve ser substituída por profissionais.

Cuidados a ter na deslocação do frigorífico.

Segure o aparelho pelas partes laterais e pela base enquanto o movimentar. Nunca em circunstância alguma mova o aparelho levantando-o pelas partes superiores do mesmo

6.2 Assistência técnica

O aparelho deve ser assistido tecnicamente por pessoal qualificado e só devem ser usadas peças da mesma marca que o aparelho. Nunca em qualquer circunstância deve você mesmo tentar reparar o aparelho. Reparações feitas por pessoas sem a devida experiência, podem causar sérios danos no aparelho ou sérios mau funcionamento. Contacte um técnico qualificado

6.3 Aparelho desligado por longos períodos de tempo.

Quando o aparelho não for utilizado por um longo período de tempo, desligue o mesmo da corrente eléctrica, retire toda a comida do seu interior, limpe e deixe a porta entreaberta para evitar cheiros no interior do aparelho.

7. Problemas possíveis.

Os seguintes pequenos problemas podem ser resolvidos pelo utilizador. Por favor chame um técnico se o problema não ficar resolvido.

Não funciona	Verifique que o aparelho está ligado á corrente eléctrica, que a voltagem da corrente eléctrica é a requerida pelo aparelho ou se tem energia eléctrica na sua casa.
Odores	Os alimentos com cheiros intensos devem ser bem embalados, retire fruta ou vegetais podres, limpe o interior do aparelho
O compressor trabalha sem parar.	É normal acontecer no Verão quando a temperatura ambiente é elevada. Não ponha uma quantidade excessiva de alimentos no frigorífico ao mesmo tempo, não ponha alimentos cozinhados até a comida estar fria. Não abra a porta demasiadas vezes
A Luz não acende	Se aparelho estiver ligado á corrente então a luz estará estragada.
A porta não fecha convenientemente	Embalagens de alimentos estão a impedir que se feche, demasiados alimentos no interior; o aparelho está mal nivelado

Ruídos altos	Verifique se os recipientes da comida estão bem-postos, se o aparelho está nivelado, se as partes interiores do aparelho estão devidamente colocadas.
--------------	---

7.1 Cuidados a ter com o calor

- ◆ É normal o motor do frigorífico emitir calor, em especial durante o Verão, este calor é emitido pelas radiações do condensador.
- ◆ A condensação aparece no exterior do aparelho, nos selos da porta do congelador, quando a humidade é grande. Isto é um fenómeno natural e a humidade pode ser limpa com uma toalha seca.
- ◆ Ruídos são de um modo geral feitos pelo compressor quando está a trabalhar, especialmente quando começa e termina de funcionar.

8. Dicas para poupança de energia

Tente não abrir a porta muitas vezes, especialmente quando estiver uma temperatura exterior mais elevada. Quando abrir a porta tente fechá-la o mais rápido possível.

Verifique que o aparelho está suficientemente ventilado, que a circulação do ar por detrás do mesmo se faz de forma adequada.

Em normais condições de temperatura, regule o termostato para a posição média.

Antes de colocar no aparelho embalagens de comida fresca, certifique-se que o mesmo tem uma temperatura mais baixa que a temperatura ambiente

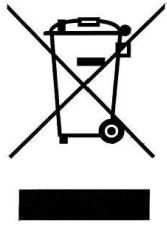
O gelo e as camadas de gelo nos alimentos causadas por ex. por uma porta mal fechada, aumentam o consumo de energia do frigorífico. Assim, limpe o aparelho sempre que o gelo atinja uma espessura de 3 a 5 mm.

A parede por trás do aparelho deve estar sempre limpa de poeiras e outra sujidade, se o frigorífico tem um condensador exterior.

- ◆ O frigorífico deve estar instalado na parte mais fresca da divisão, longe de outros aparelhos que produzam calor, tais como fornos, fogões ou aquecimentos. Devem também estar resguardados da luz solar directa.
- ◆ Deixe a comida arrefecer antes até á temperatura ambiente antes de a colocar no interior do frigorífico. Encher demais o aparelho obriga o compressor a trabalhar durante mais tempo, aumentando assim também o consumo de energia. Se os alimentos congelarem lentamente, podem perder qualidade ou até mesmo ficarem estragados.
- ◆ Certifique-se que coloca os alimentos devidamente embalados dentro do frigorífico. Isso vai reduzir o tempo de arrefecimento ou congelamento dos alimentos no interior do aparelho.
- ◆ O interior dos compartimentos do seu frigorífico não deve ser forrado com papel de alumínio, papel de cera ou por toalhas. Forros interferem com a circulação do ar, tornando o aparelho menos eficiente.
- ◆ Os alimentos organizados e rotulados reduzem o número de aberturas da porta ou portas do frigorífico e o tempo de abertura, uma vez que não perderá tempo á procura dos alimentos. Retire todos os ingredientes de uma só vez, e feche a porta, assim que possa. Não se esqueça que menos tempo de porta aberta significa um consume de energia eléctrica mais baixo.

9. Eliminação do aparelho quando deixar de funcionar

Aparelhos velhos ainda têm algum valor residual. Um método amigo do ambiente para eliminar o seu velho aparelho implica certificar-se de que matérias-primas reutilizáveis, serão recolhidas e usadas novamente refrigeradores usados do seu frigorífico e materiais de isolamento, requerem um cuidado especial na sua eliminação. Certifique-se que nenhum dos tubos do na parte detrás do seu aparelho, não estão danificados antes de entregar o aparelho para reciclar. A informação do modo e do local onde e como deve entregar o seu velho aparelho e a embalagem do novo pode ser obtida na sede própria do seu município. Se deixar o seu velho aparelho num ferro velho, retira as portas para evitar qualquer acidente.

FORMA CORRECTA DE ELIMINAR O SEU APARELHO USADO	
	<p>Esta marca indica que este aparelho não deve ser colocado no lixo doméstico, de acordo com as normas da UE.</p> <p>Para prevenir possíveis danos ao meio ambiente ou á saúde pública, pelo perigo de contaminação de uma descontrolada eliminação deste tipo de aparelhos, reciclar é como uma responsabilidade para promover a sustentabilidade da reutilização de materiais usados. Para colocar na reciclagem o aparelho usado, utilize um Sistema de recolha próprio para este tipo de materiais. Eles saberão como o fazer de uma forma segura e amiga do ambiente.</p>

Para mais informações sobre a forma e os locais correctos para deitar for a o seu aparelho, e para fazê-lo de forma a não causar danos ao ambiente ou a terceiros, por favor contacte as autoridades locais responsáveis por este tipo de serviço ou o revendedor do produto.