



REFRIGERATOR

USER'S MANUAL

MODEL:MFCI 292

CONTENTS

1 Safety warnings

1.1 Warning	1-2
1.2 Meanings of safety warning symbols	3
1.3 Electricity related warnings	3
1.4 Warnings for using	4
1.5 Warnings for placement	4-5
1.6 Warnings for energy	5
1.7 Warnings for disposal	5

2 Proper use of the refrigerator

2.1 Placement	6
2.2 Installation in cabinet	7-10
2.3 Door Right-Left Change	11-12
2.4 Changing the Light	13
2.5 Starting to use	13
2.6 Energy saving tips	13

3 Structure and functions

3.1 Key components	14
3.2 Functions	15-16

4 Maintenance and care of the refrigerator

4.1 Overall cleaning	17
4.2 Defrosting	17
4.3 Out of operation	17

5 Trouble shooting

5.1 Trouble shooting	18
----------------------	----

6 Parameters

6.1 Technical parameters	19-20
--------------------------	-------

1 Safety warnings

1.1 Warning



Warning: risk of fire / flammable materials

This appliance is intended to be used in household and similar applications such as staff kitchen areas in shops, offices and other working environments; farm houses and by clients in hotels, motels and other residential type environments; bed and breakfast type environments; catering and similar non-retail applications.

If the supply cord is damaged, it must be replaced by the manufacturer, its service agent or similarly qualified persons in order to avoid a hazard.

Do not store explosive substances such as aerosol cans with a flammable propellant in this appliance.

The appliance has to be unplugged after use and before carrying out user maintenance on the appliance.

WARNING: Keep ventilation openings, in the appliance enclosure or in the built-in structure, clear of obstruction.

WARNING: Do not use mechanical devices or other means to accelerate the defrosting process, other than those recommended by the manufacturer.

WARNING: Do not damage the refrigerant circuit.

WARNING: Do not use electrical appliances inside the food storage compartments of the appliance, unless they are of the type recommended by the manufacturer.

WARNING: Please abandon the refrigerator according to local regulators for its use flammable blowing gas and refrigerant.

WARNING: When positioning the appliance, ensure the supply cord is not trapped or damaged.

WARNING: Do not locate multiple portable socket-outlets or portable power supplies at the rear of the appliance.

Do not use extension cords or ungrounded (two prong) adapters.

DANGER: Risk of child entrapment. Before you throw away your old refrigerator or freezer:

– Take off the doors.

– Leave the shelves in place so that children may not easily climb inside.

The refrigerator must be disconnected from the source of electrical supply before attempting the installation of accessory.



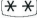
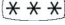
Refrigerant and cyclopentane foaming material used for the refrigerator are flammable. Therefore, when the refrigerator is scrapped, it shall be kept away from any fire source and be recovered by a special recovering company with corresponding qualification other than be disposed by combustion, so as to prevent damage to the environment or any other harm.

For EN standard: This appliance can be used by children aged from 8 years and above and persons with reduced physical sensory or mental capabilities or lack of experience and knowledge if they have been given supervision or instruction concerning use of the appliance in a safe way and understand the hazards involved. Children shall not play with the appliance. Cleaning and user maintenance shall not be made by children without supervision. Children aged from 3 to 8 years are allowed to load and unload refrigerating appliances.

For IEC standard: This appliance is not intended for use by persons (including children) with reduced physical, sensory or mental capabilities, or lack of experience and knowledge, unless they have been given supervision or instruction concerning use of the appliance by a person responsible for their safety.)




Children should be supervised to ensure that they do not play with the appliance.

The instructions shall include the substance of the following: To avoid contamination of food, please respect the following instructions:

- Opening the door for long periods can cause a significant increase of the temperature in the compartments of the appliance.
- Clean regularly surfaces that can come in contact with food and accessible drainage systems.
- Clean water tanks if they have not been used for 48 h; flush the water system connected to a water supply if water has not been drawn for 5 days. (note 1)
- Store raw meat and fish in suitable containers in the refrigerator, so that it is not in contact with or drip onto other food.
- Two-star  frozen-food compartments are suitable for storing pre-frozen food, storing or making ice-cream and making ice cubes. (note 2)
- One  -two  -and three-star  compartments are not suitable for the freezing of fresh food. (note 3)
- If the refrigerating appliance is left empty for long periods, switch off, defrost, clean, dry, and leave the door open to prevent mould developing within the appliance.

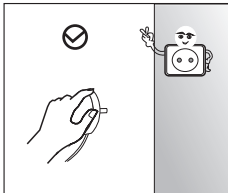
Note 1,2,3 : Please confirm whether it is applicable according to you product compartment type.

1.2 Meaning of safety warning symbols

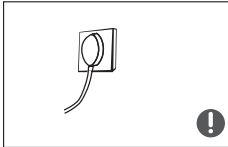
	This is a prohibition symbol. Any in compliance with instructions marked with this symbol may result in damage to the product or endanger the personal safety of the user.
	This is a warning symbol. It is required to operate in strict observance of instructions marked with this symbol; or otherwise damage to the product or personal injury may be caused.
	This is a cautioning symbol. Instructions marked with this symbol require special caution. Insufficient caution may result in slight or moderate injury, or damage to the product.

This manual contains lots of important safety information which shall be observed by the users.

1.3 Electricity related warnings



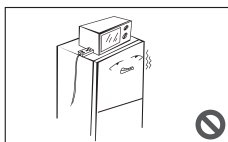
- Do not pull the power cord when pulling the power plug of the refrigerator. Please firmly grasp the plug and pull out it from the socket directly.
- To ensure safe use, do not damage the power cord or use the power cord when it is damaged or worn.



- Please use a dedicated power socket and the power socket shall not be shared with other electrical appliances. The power plug should be firmly contacted with the socket or else fires might be caused.
- Please ensure that the grounding electrode of the power socket is equipped with a reliable grounding line.

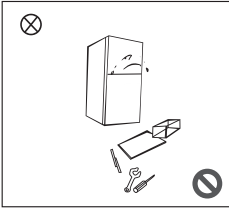


- Please turn off the valve of the leaking gas and then open the doors and windows in case of leakage of gas and other flammable gases. Do not unplug the refrigerator and other electrical appliances considering that spark may cause a fire.

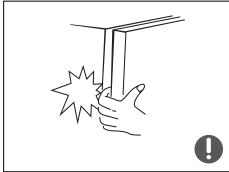


- Do not use electrical appliances on the top of the appliance, unless they are of the type recommended by the manufacturer.

1.4 Warnings for using



- Do not arbitrarily disassemble or reconstruct the refrigerator, nor damage the refrigerant circuit; maintenance of the appliance must be conducted by a specialist
- Damaged power cord must be replaced by the manufacturer, its maintenance department or related professionals in order to avoid danger.



- The gaps between refrigerator doors and between doors and refrigerator body are small, be noted not to put your hand in these areas to prevent from squeezing the finger. Please be gentle when close the refrigerator door to avoid falling articles.
- Do not pick foods or containers with wet hands in the freezing chamber when the refrigerator is running, especially metal containers in order to avoid frostbite.

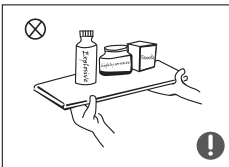


- Do not allow any child to get into or climb the refrigerator; otherwise suffocation or falling injury of the child may be caused.

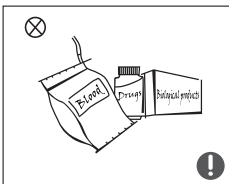


- Do not place heavy objects on the top of the refrigerator considering that objectives may fall when close or open the door, and accidental injuries might be caused.
- Please pull out the plug in case of power failure or cleaning. Do not connect the freezer to power supply within five minutes to prevent damages to the compressor due to successive starts.

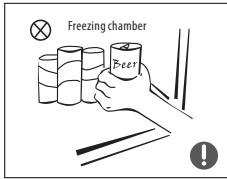
1.5 Warnings for placement



- Do not put flammable, explosive, volatile and highly corrosive items in the refrigerator to prevent damages to the product or fire accidents.
- Do not place flammable items near the refrigerator to avoid fires.



- The refrigerator is intended for household use, such as storage of foods; it shall not be used for other purposes, such as storage of blood, drugs or biological products, etc.



- Do not store beer, beverage or other fluid contained in bottles or enclosed containers in the freezing chamber of the refrigerator; otherwise the bottles or enclosed containers may crack due to freezing to cause damages.

1.6 Warnings for energy

- 1) Refrigerating appliances might not operate consistently (possibility of defrosting of contents or temperature becoming too warm in the frozen food compartment) when sited for an extended period of time below the cold end of the range of temperatures for which the refrigerating appliance is designed.
- 2) The fact that effervescent drinks should not be stored in food freezer compartments or cabinets or in low-temperature compartments or cabinets, and that some products such as water ices should not be consumed too cold;
- 3) The need to not exceed the storage time(s) recommended by the food manufacturers for any kind of food and particularly for commercially quick-frozen food in food-freezer and frozen-food storage compartments or cabinets;
- 4) The precautions necessary to prevent an undue rise in the temperature of the frozen food while defrosting the refrigerating appliance, such as wrapping the frozen food in several layers of newspaper.
- 5) The fact that a rise in temperature of the frozen food during manual defrosting, maintenance or cleaning could shorten the storage life.
- 6) The necessity that, for doors or lids fitted with locks and keys, the keys be kept out of the reach of children and not in the vicinity of the refrigerating appliance, in order to prevent children from being locked inside

1.7 Warnings for disposal

Refrigerant and cyclopentane foaming material used for the refrigerator are flammable.



Therefore, when the refrigerator is scraped, it shall be kept away from any fire source and be recovered by a special recovering company with corresponding qualification other than be disposed by combustion, so as to prevent damage to the environment or any other harm.



When the refrigerator is scraped, disassemble the doors, and remove gasket of door and shelves; put the doors and shelves in a proper place, so as to prevent trapping of any child.

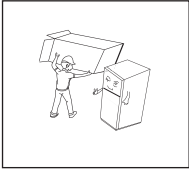


Correct Disposal of this product:

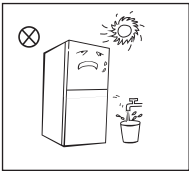
This marking indicates that this product should not be disposed with other household wastes throughout the EU. To prevent possible harm to the environment or human health from uncontrolled waste disposal, recycle it responsibly to promote the sustainable reuse of material resources. To return your used device, please use the return and collection systems or contact the retailer where the product was purchased. They can take this product for environmental safe recycling.

2 Proper use of refrigerators

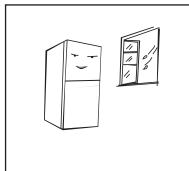
2.1 Placement



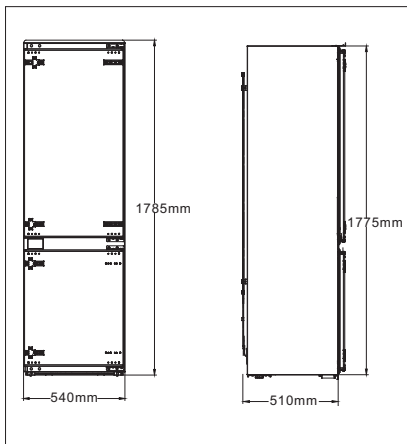
- Before use, remove all packing materials, including bottom cushions, foam pads and tapes inside of the refrigerator; tear off the protective film on the doors and the refrigerator body.



- Keep away from heat and avoid direct sunlight. Do not place the freezer in moist or watery places to prevent rust or reduction of insulating effect.
- Do not spray or wash the refrigerator; do not put the refrigerator in moist places easy to be splashed with water so as not to affect the electrical insulation properties of the refrigerator.



- The refrigerator is placed in a well-ventilated indoor place; the ground shall be flat, and sturdy.

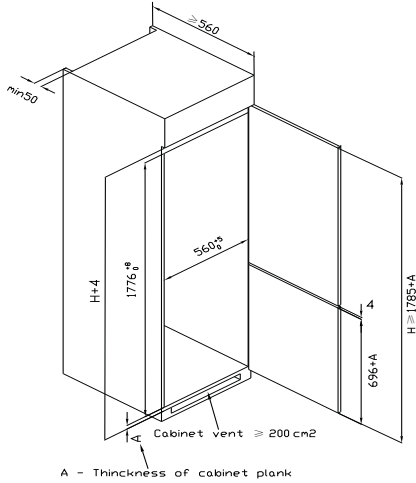


- Outer cabinet dimensions, please refer to shown as the left picture

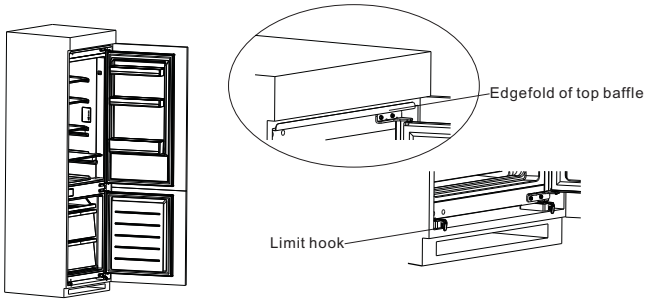
- ⚠ **Precautions before installation:**
Information in the Instruction Manual is only for reference. The physical product may differ. Before installation and adjusting of accessories, it shall be ensured that the refrigerator is disconnected from power.

2.2 Installation in cabinet

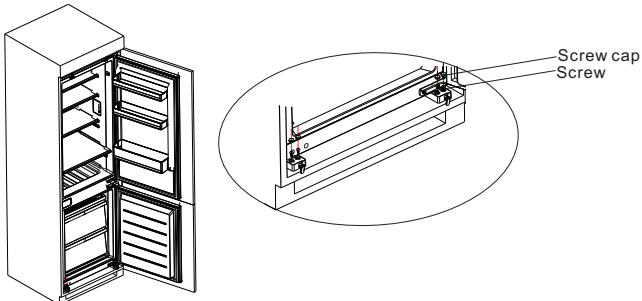
- Cabinet size requirement.



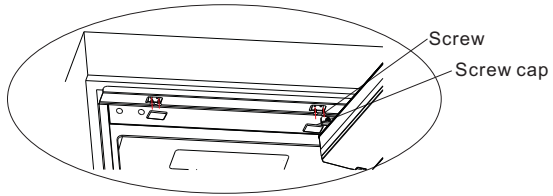
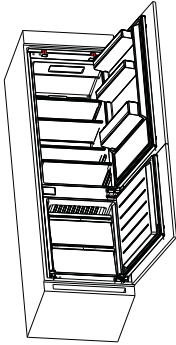
- Push the refrigerator into the cabinet and adjust it to make sure the edge fold of top baffle completely touch the top edge of the cabinet, and the limit hook of supporting leg completely touch the bottom edge of the cabinet.



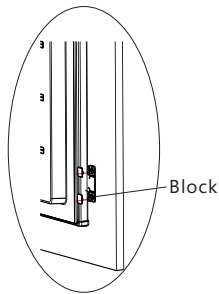
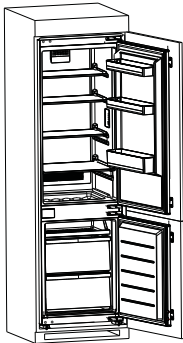
- Fix the supporting leg with screws, then install the screw caps.



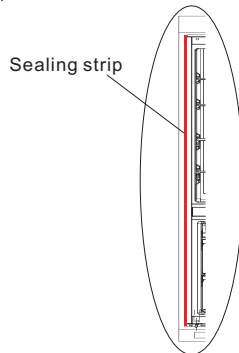
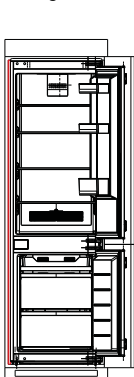
- Fix the top baffle to the top of the cabinet inner with screws, then install the screw caps.



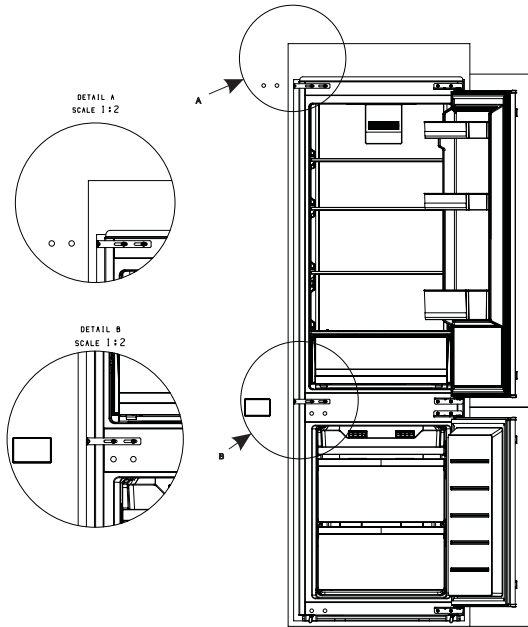
- Open the lower door of cabinet the maximum angle, and open the lower door of the refrigerator to the corresponding position. Sliding the block to make sure inner edge align with the lower door edge of refrigerator, then fix the block to the door of cabinet with screw and install screw caps. Fix the upper refrigerator door to the cabinet door in the same way.



- Take out the sealing strip from accessory bag, and press it in the gap between the cabinet and the refrigerator. Installation is completed.








- Remove the decorative cover on the left side of the beam in the refrigerator and take out the middle beam fixing block, screws and plastic inserts in the attachment. Then insert the plastic inserts into two upper holes of the middle beam (or the lower holes), and then fix the middle beam fixing block to two lower holes (or the upper holes) of the middle beam with screws. When the screw is half tightened, move the fixing block to the cabinet and tighten the screws. Finally, tighten the fixing block on the cabinet with the small screws. The installation is completed. (This item is optional for the middle beam fixing block)

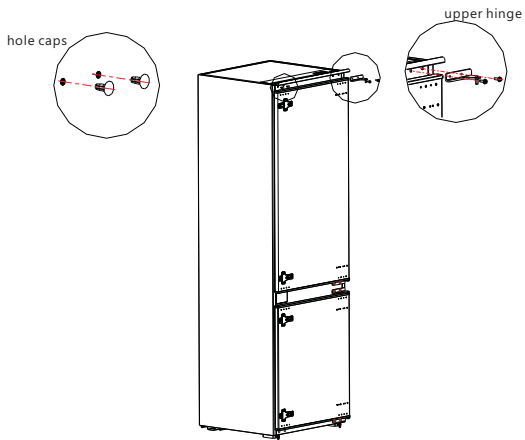


(The picture above is only for reference. The actual configuration will depend on the physical product or statement by the distributor)

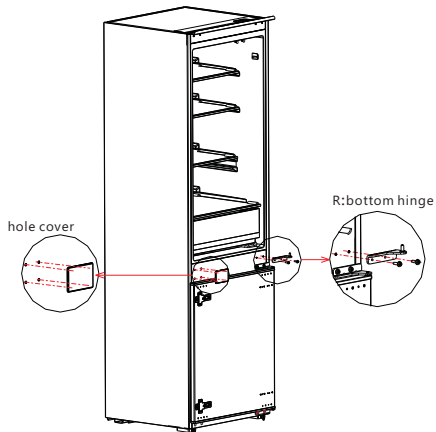
2.3 Door Right-Left Change

List of tools to be provided by the user			
	Cross screwdriver		Putty knife
	thin-blade screwdriver		5/16" socket and ratchet
	Masking tape		

- 1) Power off the refrigerator, and remove all objects from the door trays.
- 2) Remove the upper hinge and hole caps of refrigerator door.

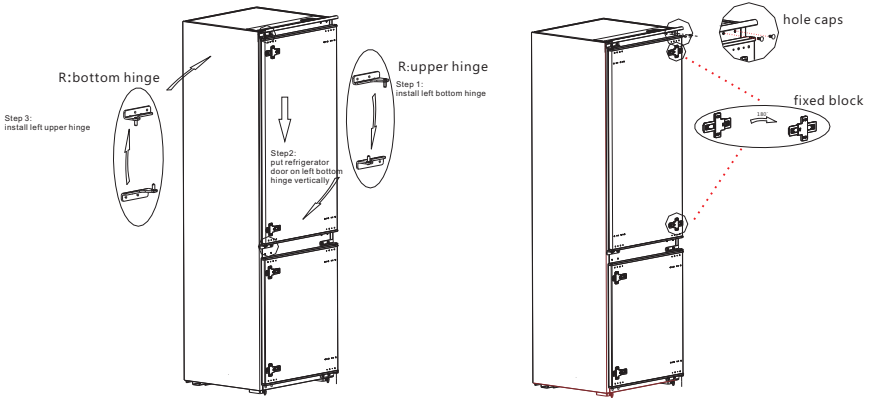


- 3) Remove the refrigerator door, the bottom hinge and the hole cover.

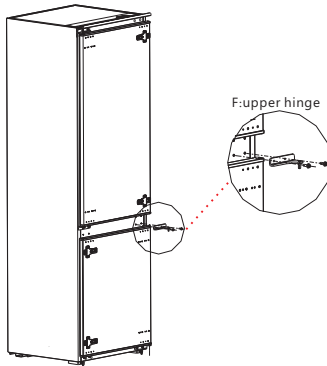


3) Exchange the R:bottom hinge and R:upper hinge , then install them according to below steps, and install the top hole caps.

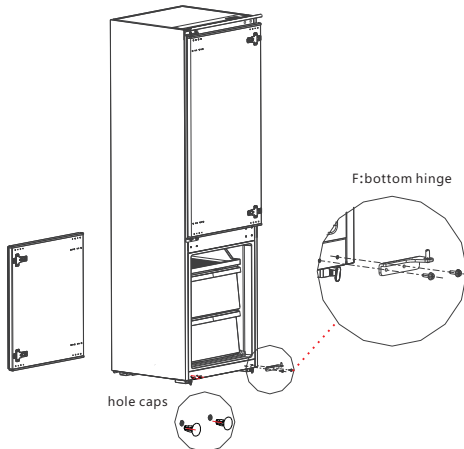
4) Remove the two fixed blocks of refrigerator door and rotate them for 180° , and install them on other side of refrigerator door.



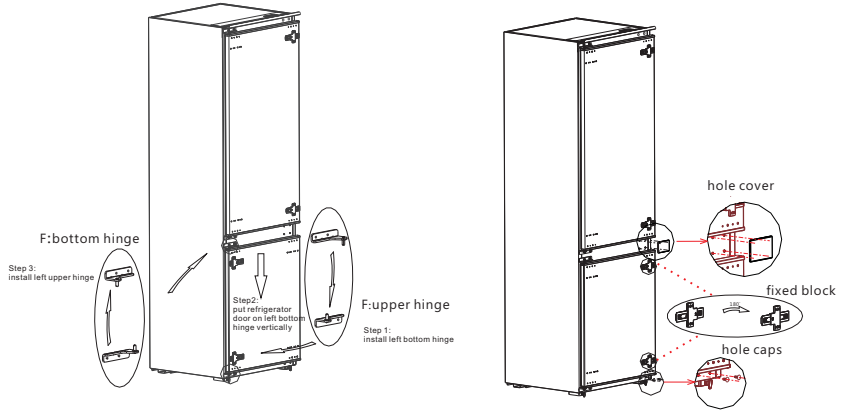
5) Remove the the upper hinge of freezer door.



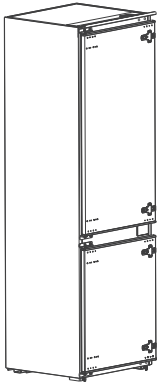
6) Remove the freezer door, the bottom hinge and the hole caps.



- 7) Exchange the F:bottom hinge and F:upper hinge , then install them according to below steps, and install the top hole cover and lower hole caps.
- 8) Remove the two fixed blocks of freezer door and rotate them for 180° , and install them on other side of freezer door.



9) The picture after completion is shown as below

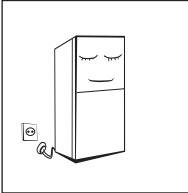


(The picture above is only for reference. The actual configuration will depend on the physical product or statement by the distributor)

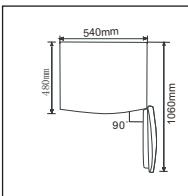
2.4 Changing the Light

Any replacement or maintenance of the LED lamps is intended to be made by the manufacturer, its service agent or similar qualified person.

2.5 Starting



- Before initial start, keep the refrigerator still for half an hour before connecting it to power supply.
- Before putting any fresh or frozen foods, the refrigerator shall have run for 2-3 hours, or for above 4 hours in summer when the ambient temperature is high.



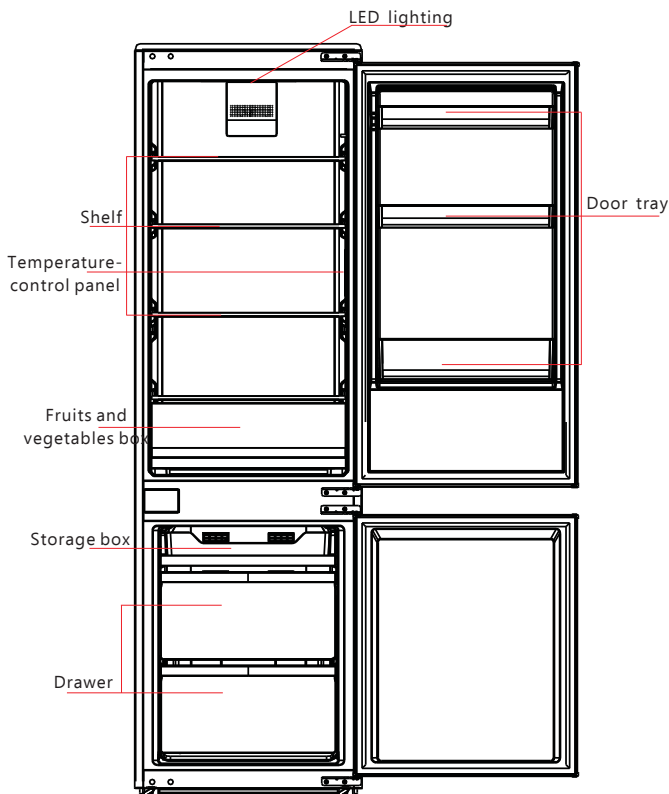
- Spare enough space for convenient opening of the doors and drawers or statement by the distributor.


2.6 Energy saving tips

- The appliance should be located in the coolest area of the room, away from heat producing appliances or heating ducts, and out of the direct sunlight.
- Let hot foods cool to room temperature before placing in the appliance. Overloading the appliance forces the compressor to run longer. Foods that freeze too slowly may lose quality, or spoil.
- Be sure to wrap foods properly, and wipe containers dry before placing them in the appliance. This cuts down on frost build-up inside the appliance.
- Appliance storage bin should not be lined with aluminum foil, wax paper, or paper toweling. Liners interfere with cold air circulation, making the appliance less efficient.
- Organize and label food to reduce door openings and extended searches. Remove as many items as needed at one time, and close the door as soon as possible.

3 Structure and functions

3.1 Key components



 (The picture above is only for reference. The actual configuration will depend on the physical product or statement by the distributor)

Refrigerating chamber

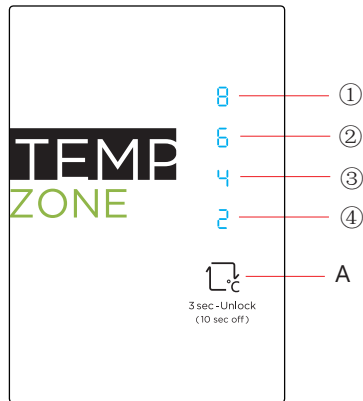
- The Refrigerating Chamber is suitable for storage of a variety of fruits, vegetables, beverages and other food consumed in the short term.
- Cooking foods shall not be put in the refrigerating chamber until cooled to room temperature.
- Foods are recommended to be sealed up before putting into the refrigerator.
- The glass shelves can be adjusted up or down for a reasonable amount of storage space and easy use.

Freezing chamber

- The low temperature freezing chamber may keep food fresh for a long time and it is mainly used to store frozen foods and making ice.
- The freezing chamber is suitable for storage of meat, fish, rice balls and other foods not to be consumed in short term.
- Chunks of meat are preferably to be divided into small pieces for easy access. Please be noted food shall be consumed within the shelf time.

Note: Storage of too much food during operation after the initial connection to power may adversely affect the freezing effect of the refrigerator. Foods stored shall not block the air outlet; or otherwise the freezing effect will also be adversely affected.

3.2 Functions



! (The picture above is only for reference. The actual configuration will depend on the physical product or statement by the distributor)

1) Key

A. Set key (Temperature setting button of refrigerator compartment)

2) Display screen

- ① setting 1: 8°C
- ② setting 2: 6°C
- ③ setting 3: 4°C
- ④ setting 4: 2°C

3) Display

Once initially powered on, the display screen is on full display for 3s. and then the refrigerator runs according to setting 3.

Normal operation display

In case of a failure, the corresponding LED blinks.

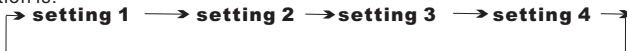
In case of no failures, it shows the actual temperature setting of refrigerator.

Fault Code	Fault Description
indicator setting 1	Refrigerator temperature sensor circuit
indicator setting 2	Refrigerator defrost sensor
indicator setting 3	Freezer defrost sensor
indicator setting 4	Ambient temperature sensor

4) temperature setting

Each time the temperature setting button A is pressed once, the temperature setting changes one time. After the temperature setting has been completed, the refrigerator will run according to the set value after 30s.

The shift regulation is:



5) Lock/Unlock

When the temperature control panel is in lock state, it needs to long press temperature setting key for 3 seconds for unlocking the panel, all LEDs will blink for 2 second when panel is unlocked.

When the temperature control panel is in unlock state, if there is no operation on control panel within 30 seconds, it will enter into lock state automatically.

6) Power off function

① entry mode:

In the unlocking state, set the key SET for 10S (when the display and control of the refrigerator are all off, the SET button will take effect when the key is released). After 30S, the refrigerator will enter the power off function mode, all loads are turned off, and the display and control of the refrigerator will be all off in the power off mode.

② exit method:


In power off mode, press the SET key to exit the power off mode and the refrigerator will return to normal control.

4. Maintenance and care of the refrigerator

4.1 Overall cleaning

- Dusts behind the refrigerator and on the ground shall be timely cleaned to improve the cooling effect and energy saving.
- Check the door gasket regularly to make sure there are no debris. Clean the door gasket with a soft cloth dampened with soapy water or diluted detergent.
- The interior of the refrigerator should be cleaned regularly to avoid odor.
- Please turn off the power before cleaning interior, remove all foods, drinks, shelves, drawers, etc.
- Use a soft cloth or sponge to clean the inside of the refrigerator, with two tablespoons of baking soda and a quart of warm water. Then rinse with water and wipe clean. After cleaning, open the door and let it dry naturally before turning on the power.
- For areas that are difficult to clean in the refrigerator (such as narrow sandwiches, gaps or corners), it is recommended to wipe them regularly with a soft rag, soft brush, etc. and when necessary, combined with some auxiliary tools (such as thin sticks) to ensure no contaminants or bacterials accumulation in these areas.
- Do not use soap, detergent, scrub powder, spray cleaner, etc., as these may cause odors in the interior of the refrigerator or contaminated food.
- Clean the bottle frame, shelves and drawers with a soft cloth dampened with soapy water or diluted detergent. Dry with a soft cloth or dry naturally.
- Wipe the outer surface of the refrigerator with a soft cloth dampened with soapy water, detergent, etc., and then wipe dry.
- Do not use hard brushes, clean steel balls, wire brushes, abrasives (such as toothpastes), organic solvents (such as alcohol, acetone, banana oil, etc.), boiling water, acid or alkaline items, which may damage the fridge surface and interior. Boiling water and organic solvents such as benzene may deform or damage plastic parts.
- Do not rinse directly with water or other liquids during cleaning to avoid short circuits or affect electrical insulation after immersion.




 Please unplug the refrigerator for defrost and cleaning.

4.2 Defrosting

- The refrigerator is made based on the air-cooling principle and thus has automatic defrosting function. Frost formed due to change of season or temperature may also be manually removed by disconnection of the appliance from power supply or by wiping with a dry towel.

4.3 Out of operation

- Power failure: In case of power failure, even if it is in summer, foods inside the appliance can be kept for several hours; during the power failure, the times of door opening shall be reduced, and no more fresh food shall be put into the appliance.
- Long-time nonuse: The appliance shall be unplugged and then cleaned; then the doors are left open to prevent odor.
- Moving: Before the refrigerator is moved, take all objects inside out, fix the glass partitions, vegetable holder, freezing chamber drawers and etc. with tape, and tighten the leveling feet; close the doors and seal them with tape. During moving, the appliance shall not be laid upside down or horizontally, or be vibrated; the inclination during movement shall be no more than 45°.

 The appliance shall run continuously once it is started. Generally, the operation of the appliance shall not be interrupted; or otherwise the service life may be impaired

5 Trouble shooting

5. 1 You may try to solve the following simple problems by yourself.
If them cannot be solved, please contact the after-sales department.

Failed operation	<p>Check whether the appliance is connected to power or whether the plug is in well contact</p> <p>Check whether the voltage is too low</p> <p>Check whether there is a power failure or partial circuits have tripped</p>
Odor	<p>Odorous foods shall be tightly wrapped</p> <p>Check whether there is any rotten food</p> <p>Clean the inside of the refrigerator</p>
Long-time operation of the compressor	<p>Long operation of the refrigerator is normal in summer when the ambient temperature is high</p> <p>It is not suggestible having too much food in the appliance at the same time</p> <p>Food shall get cool before being put into the appliance</p> <p>The doors are opened too frequently</p>
Light fails to get lit	<p>Check whether the refrigerator is connected to power supply and whether the illuminating light is damaged</p> <p>Have the light replaced by a specialist</p>
Doors cannot be properly closed	<p>The door is stuck by food packages</p> <p>The refrigerator is tilted</p>
Loud noise	<p>Check whether the floor is level and whether the refrigerator is placed stably</p> <p>Check whether accessories are placed at proper locations</p>
Door seal fails to be tight	<p>Remove foreign matters on the door seal</p> <p>Heat the door seal and then cool it for restoration (or blow it with an electrical drier or use a hot towel for heating)</p>
Water pan overflows	<p>There is too much food in the chamber or food stored contains too much water, resulting in heavy defrosting</p> <p>The doors are not closed properly, resulting in frosting due to entry of air and increased water due to defrosting</p>
Hot housing	<p>Heat dissipation of the built-in condenser via the housing, which is normal. When housing becomes hot due to high ambient temperature and storage of too much food, it is recommended to provide sound ventilation to facilitate heat dissipation.</p>
Surface condensation	<p>Condensation on the exterior surface and door seals of the refrigerator is normal when the ambient humidity is too high. Just wipe the condensate with a clean towel.</p>
Abnormal noise	<p>Buzz: The compressor may produce buzzes during operation, and the buzzes are loud particularly upon start or stop. This is normal.</p> <p>Creak: Refrigerant flowing inside of the appliance may produce creak, which is normal.</p>



Combinado

Manual de usuário

MFCI 292

CONTEÚDOS

1 Avisos de segurança

1. 1 Avisos	1-2
1. 2 Significado dos símbolos de aviso	3
1. 3 Avisos de electricidade	3
1. 4 Avisos de uso	4
1. 5 Avisos de colocação	4-5
1. 6 Avisos de energia	5
1. 7 Avisos de reciclagem	5

2 Uso devido do aparelho

2. 1 Instalação	6
2. 2 Instalação da cabine	7-10
2. 3 Mudar portas	11-12
2. 4 Mudar a luz	13
2. 5 Começar a usar	13
2. 6 Dicas de poupança	13

3 Estrutura e funções

3. 1 Componentes chave	14
3. 2 Funções	15-16

4 Manutenção e cuidado com o produto

4. 1 Limpeza geral	17
4. 2 Descongelar	17
4. 3 Fora de operação	17

5 Resolução de problemas

5. 1 Resolução de problemas	18
-----------------------------	----

6 Parametros

6. 1 Parametros técnicos	19-20
--------------------------	-------

1 Aviso de segurança

1.1 Aviso



Aviso : risco de incêndio / material inflamável

Este eletrodoméstico destina-se a ser utilizado em aplicações domésticas e similares, tais como áreas de cozinha de pessoal em lojas, escritórios e outros ambientes de trabalho; casas de campo e por clientes em hotéis, motéis e outros ambientes residenciais; ambientes tipo alojamento e pequeno-almoço; catering e aplicações similares não retalhistas.

Se o cabo de alimentação estiver danificado, este deve ser substituído pelo fabricante, serviço após venda ou pessoas com qualificações semelhantes, a fim de evitar riscos.

Não guarde substâncias explosivas, como latas de aerossóis com um propulsor inflamável neste aparelho.

O aparelho deve ser desligado após o uso e antes de realizar a manutenção do mesmo.

ADVERTÊNCIA: Mantenha as aberturas de ventilação, no equipamento ou na estrutura embutida, sem obstruções.

ADVERTÊNCIA: Não use dispositivos mecânicos ou outros meios para acelerar o processo de descongelamento, além dos recomendados pelo fabricante.

ADVERTÊNCIA: Não danifique o circuito do frigorífico.

ADVERTÊNCIA: Não utilize aparelhos elétricos dentro dos compartimentos de armazenamento de alimentos, a menos que sejam do tipo recomendado pelo fabricante.

ADVERTÊNCIA: Deve manusear e eliminar o frigorífico de acordo com as normas locais, pois este usa gases inflamáveis e produtos de refrigeração.

ADVERTÊNCIA: Ao posicionar o equipamento certifique-se de que o cabo de alimentação não está preso ou danificado.

ADVERTÊNCIA: Não coloque várias tomadas portáteis ou fontes de alimentação portáteis na parte traseira do dispositivo.

Não use cabos de extensão ou adaptadores de dois pinos não ligados à terra.

PERIGO: Risco de aprisionamento de crianças. Antes de deitar fora o seu antigo frigorífico ou congelador:

- Tire as portas.

- Deixe as prateleiras no lugar para que as crianças não possam subir facilmente para dentro.

O frigorífico deve ser desligado da fonte de alimentação elétrica antes da instalação de acessórios.

O material refrigerante e ciclopentano utilizados no frigorífico são inflamáveis. Portanto, quando se desligar o equipamento, o mesmo deve ser mantido longe de uma fonte de incêndio, evitando danos ambientais ou outro tipo de danos.

Para norma EN: Este eletrodoméstico pode ser utilizado por crianças com idade igual ou superior a 8 anos e por pessoas com capacidades físicas, sensoriais ou mentais reduzidas ou falta de experiência e conhecimento, desde que tenham recebido supervisão ou instruções relativas à utilização segura do equipamento e compreendidos os perigos envolvidos. As crianças não devem brincar com o equipamento. A limpeza e a manutenção não devem ser realizadas por crianças sem supervisão. Crianças com idade entre os 3 e 8 anos podem carregar e descarregar alimentos dos aparelhos de refrigeração.




Para a norma IEC: Este eletrodoméstico não deve ser utilizado por pessoas (incluindo crianças) com capacidades físicas, sensoriais ou mentais reduzidas, ou falta de experiência e conhecimento, a menos que tenham recebido supervisão ou instruções relativas ao uso do equipamento por uma pessoa responsável pela sua segurança.

As crianças devem ser supervisionadas para garantir que não brincam com o eletrodoméstico.

As instruções devem incluir a seguinte matéria: Para evitar a contaminação dos alimentos, respeite as seguintes instruções:

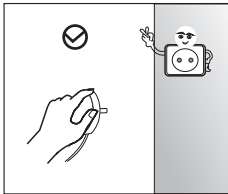
- A abertura da porta por longos períodos de tempo pode causar um aumento significativo da temperatura nos compartimentos do equipamento.
 - Limpe regularmente as superfícies que possam entrar em contato com alimentos e sistemas de drenagem acessíveis.
 - Limpe os tanques de água se eles não tiverem sido usados por 48h; lave o sistema de água ligado a uma fonte de água, caso esta não tenha sido retirada pelo período de 5 dias. (nota 1)
 - Armazene carne crua e peixe em recipientes adequados no frigorífico, para que não fiquem em contato ou pinguem em outros alimentos.
 - Os compartimentos de alimentos congelados de duas estrelas são adequados para armazenar alimentos pré-congelados, armazenar ou confeccionar gelados e cubos de gelo. (nota 2)
 - Os compartimentos de duas e três estrelas não são adequados para congelar alimentos frescos. (nota 3)
 - Se o equipamento for deixado vazio por longos períodos, desligue, descongele, limpe, seque e deixe a porta aberta para evitar o desenvolvimento do molde dentro do aparelho.
- Nota 1,2,3 : Confirme se é aplicável de acordo com o tipo de compartimento do produto.

1.2 Significado dos avisos de segurança

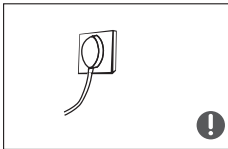
	Símbolo proibitivo	Este símbolo proibitivo, não cumprindo pode resultar em danos no produto e na segurança
	Símbolo de aviso	Este símbolo de aviso, ter cuidado pois pode resultar em danos no produto e lesões pessoais.
	Símbolo de nota	Este símbolo de nota, não cumprindo pode resultar em pequenos danos no produto e na segurança

(Este manual tem avisos importantes que devem ser vistos por outros.)

1.3 Avisos relativos a electricidade



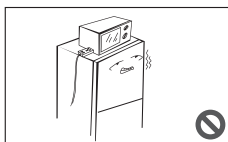
- Não puxe o cabo quando quer desligar o aparelho, segure na tomada e puxe a mesma.
- Para assegurar um uso correcto, não danifique o cabo.



- Por favor use uma ligação dedicada e não partilhe a tomada com outros aparelhos.
- Por favor veja se a ligação está bem operada.

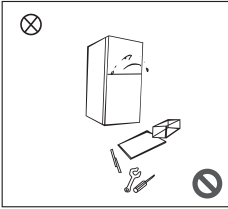


- Por favor desligue a válvula de gás em caso de fuga.

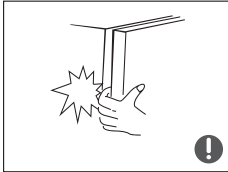


- Não use aparelhos eléctricos no topo do frigorífico.

1. 4 Avisos de uso



- Não desmantele ou reconstrua o produtos arbitrariamente, nem danifique o circuito de refrigeração, terá que ser realizado por profissionais.
- Um cabo danificado tem que ser mudado pelo fabricante.



- Os espaços nas portas do frigorífico e entre portas e frigorífico são pequenos, cuidado para não ficar com os dedos apertados.
- Não pegue em comida com as mãos molhadas para evitar queimar mãos com gelo.

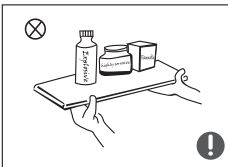


- Não permita que crianças subam ao produto, pode causar lesões

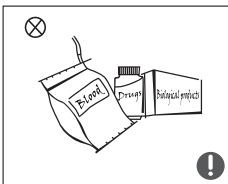


- Não coloque objectos pesados no topo do frigorífico, porque podem cair e provocar danos ou lesões.
- Desligue a tomada em caso de avaria.

1. 5 Avisos de instalação



- Não coloque itens corrosivos no frigorífico para prevenir danos no produto ou incêndios.



- O frigorífico deve ser usado apenas para uso doméstico, para armazenar comida, não use para guardar sangue ou drogas ou outros produtos biológicos, etc.



- Não coloque cerveja ou bebidas com fluídos dentro da câmara de congelação, senão irão congelar as garrafas e causar danos.

1.6 Avisos para energia

- 1) Aparelhos de refrigeração podem não operar consistentemente (devido a descongelação e temperaturas externas).
- 2) Bebidas efervescentes dentro do aparelho não podem ser armazenadas, e o gelo não pode ser consumido muito frio.
- 3) A necessidade de não exceder o tempo de armazenamento recomendado pelos fabricantes de comida, e particularmente pelos congelados, deve ser cumprido à risca.
- 4) Deve ter precauções necessárias para prevenir um aumento de temperatura enquanto descongela, como embalar em papel.
- 5) Da mesma forma, a manutenção e limpeza são muito importantes.
- 6) Pode colocar prevenção de chaves para evitar que crianças fiquem dentro do aparelho.

1.7 Aviso de reciclagem



O refrigerante e a espuma de ciclopentano são inflamáveis. Portanto, Deve estar sempre longe de fogo e ser recuperado no fim de vida por uma empresa adequada para a reciclagem que previna combustão e o ambiente.



Quando o frigorífico for deitado fora, retire as portas e os cestos e prateleiras.



Correcta reciclagem do produto:

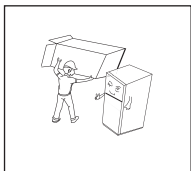
Esta marcação indica que o produto deve ser colocado num local próprio e não tratado como lixo doméstico.

Confirme na loja onde comprou ou com a marca onde deve realizar o mesmo.

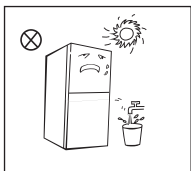


2 Uso devido do frigorífico

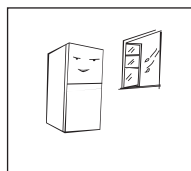
2.1 Instalação



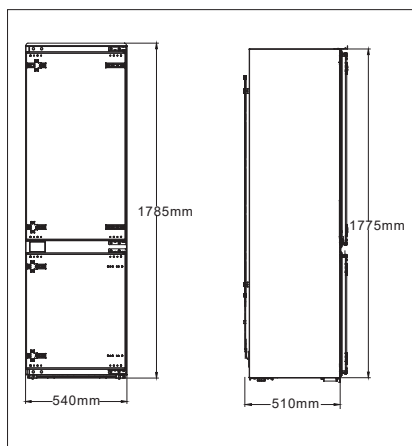
- Antes de usar, retire todos os materiais da embalagem, como esferovite, fitas, etc.



- Mantenha longe do calor e luz solar.
Não coloque em locais húmidos para prevenir ferrugem.
- Não lave o mesmo, não coloque água pode prejudicar o isolamento.



- O frigorífico deve ficar num local bem ventilado e firme.

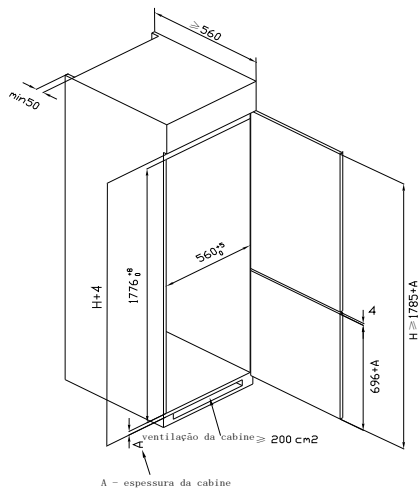


- As dimensões da cabine exterior, veja ao lado

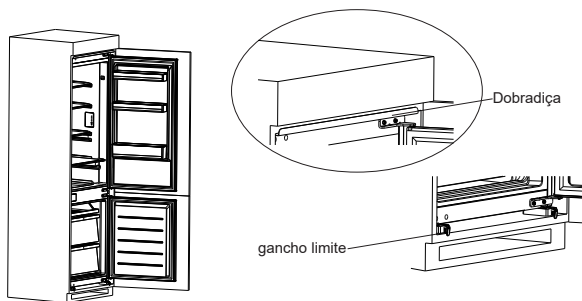
- ⚠ Precauções antes da instalação:
Informação do Manual de Instruções, o produto físico pode diferir do que é descrito.

2.2 Instalação na cabine

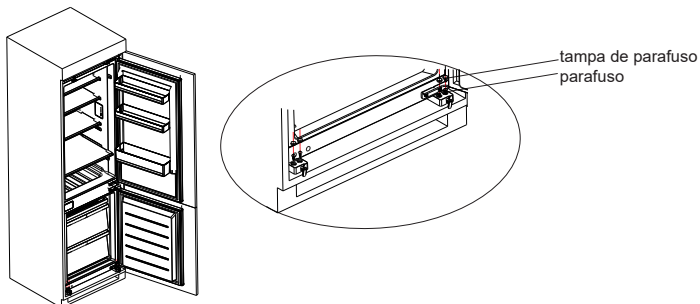
- Requisitos de cabine.



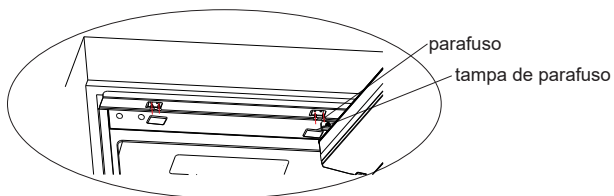
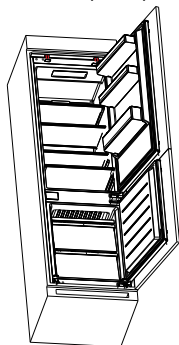
- Puxe o frigorífico para a cabine e ajuste de forma aos extremos fiquem justos na cabine, e o gancho limite toque no extremo de baixo.



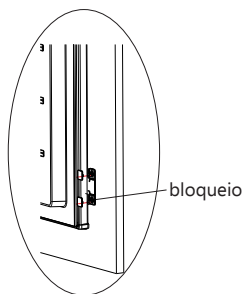
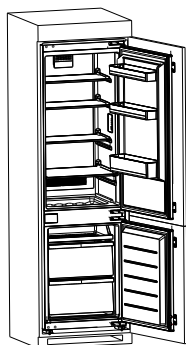
- Fixe a perna de suporte com parafusos, e instale as tampas de parafusos



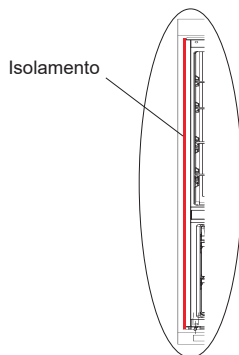
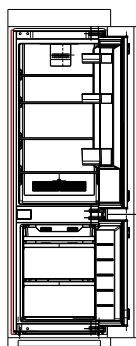
- Fixe o topo do produto ao topo da cabine interior com os parafusos e tampas.



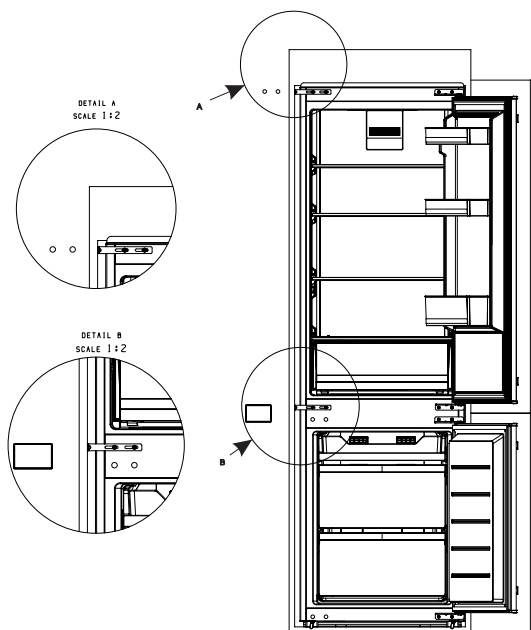
- Abra a parte inferior da cabine com o maior ângulo, e abra a porta do frigorífico para a posição correspondente. Deslize o bloqueio para garantir que está alinhado com a ponta inferior da porta, então fixe o bloqueio à porta da cabine com o parafuso e instale as tampas. Fixe a porta superior do frigorífico à porta da cabine da mesma forma.



- Retire o isolamento da mala de acessórios, e pressione no espaço entre a cabine e o frigorífico. A instalação está completa.







- Remova a tampa decorativa do feixe do lado esquerdo e retire o feixe central da dobradiça, parafusos e plásticos de inserção que estão anexos. Coloque os plásticos de inserção nos dois buracos superiores do feixe central (ou os buracos inferiores), e aperte o feixe central da dobradiça aos dois buracos inferiores (ou os buracos superiores) dos feixes centrais com parafusos. Quando os parafusos estão meio apertados, mova o feixe para a cabine e aperte os mesmos. Finalmente, aperte o feixe na cabine com os parafusos pequenos. A instalação está completa.

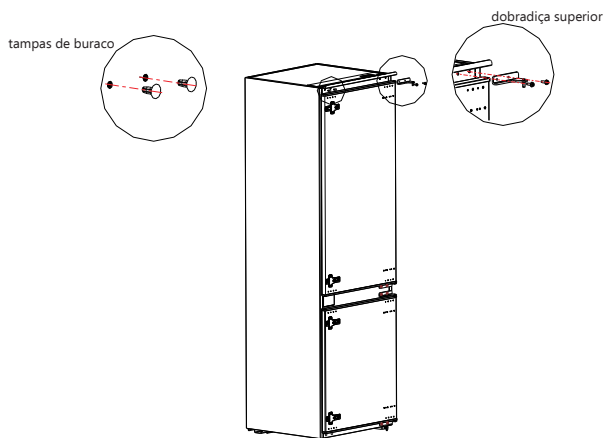


(A imagem é um exemplo para referência)

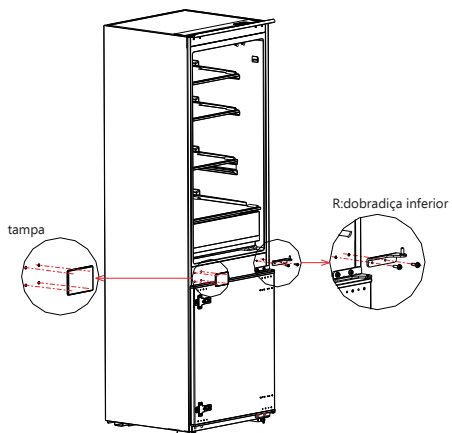
2.3 Mudança de porta

Ferramentas necessárias			
	aparafusador		Aparafusador de lâmina fina Raspador
	chave 5/16		fita

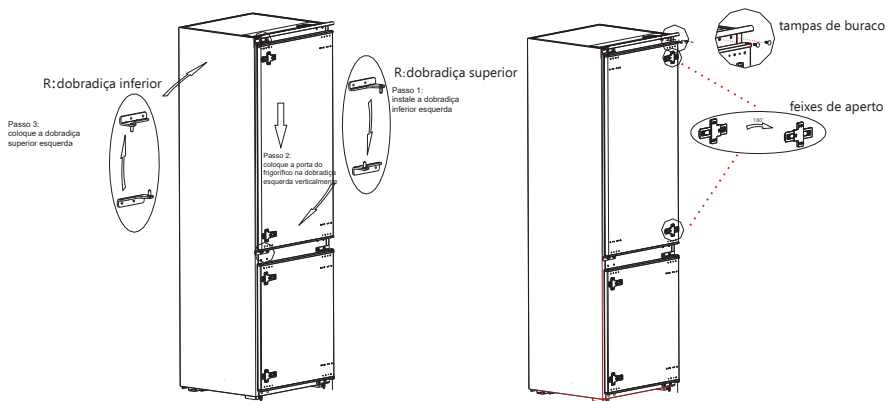
- 1) Desligue o produto, e remova os objectos da porta.
- 2) Retire a dobradiça superior e as tampas de buraco.



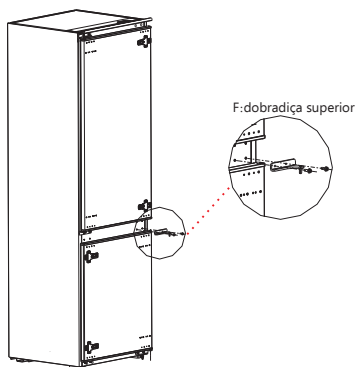
- 3) Retire a porta do frigorífico, a dobradiça inferior e a tampa



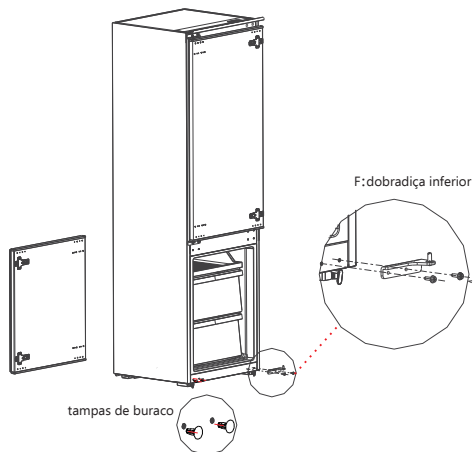
- 3) Mude a dobradiça inferior e a dobradiça superior, depois instale de acordo com os passos abaixo.
- 4) Retire os feixes do frigorífico e rode 180°C e instale no outro lado da porta.



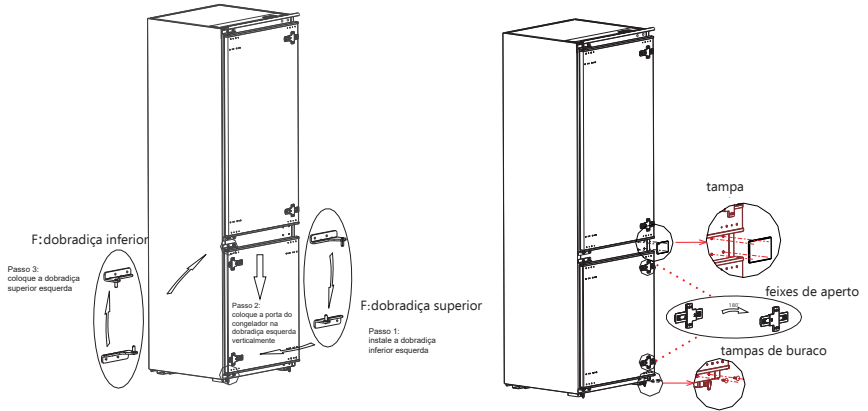
- 5) Remova a dobradiça superior



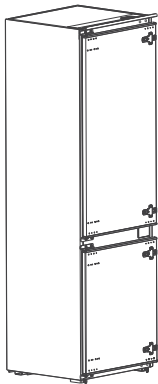
- 6) Remova a porta do congelador, a dobradiça inferior e as tampas.



- 7) Mude a dobradiça inferior e a dobradiça superior, depois instale de acordo com os passos abaixo.
 8) Retire os feixes do frigorífico e rode 180°C e instale no outro lado da porta.



9) A imagem exemplifica como deve ficar

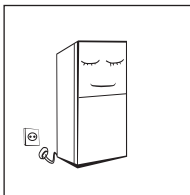


(A imagem é um exemplo para referência)

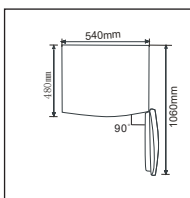
2.4 Mudar a luz

Qualquer mudança ou manutenção na luz LED deve ser feita por um técnico.

2.5 Começar



- Antes de começar deixe o frigorífico por meia hora sem ligar à tomada.
- Antes de colocar comida, o frigorífico deve correr por 2-3 horas ou 4 horas no Verão sem conteúdo.



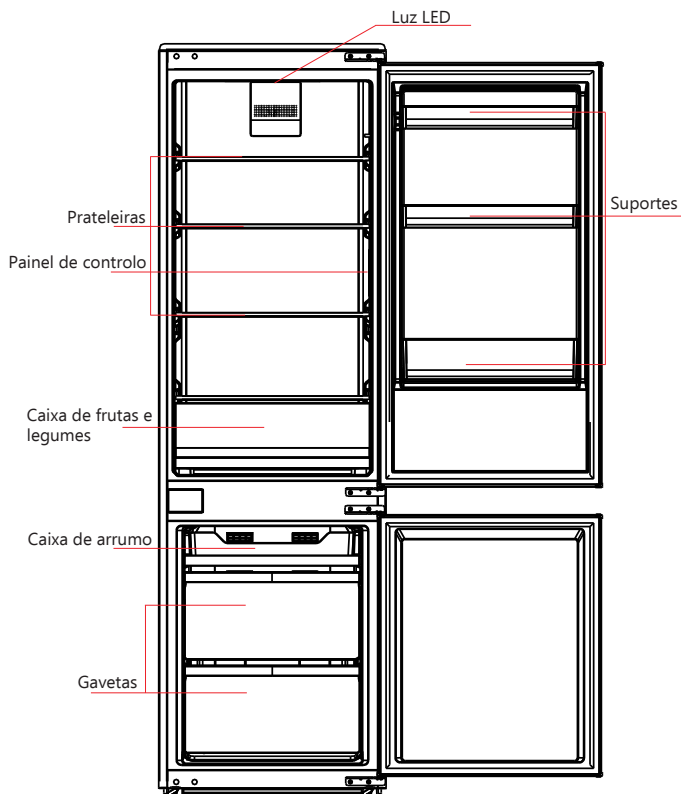
- Guarde espaço para abrir as portas e as gavetas.

2.6 Dicas de poupança energética

- O electrodoméstico deve ser colocado numa área fresca, longe de fontes de calor ou condutas.
- Deixe comidas quentes esfriarem antes de colocar no produto.
- Embrulhe a comida adequadamente, e limpe bem o interior antes de colocar comida.
- Não deve encher o compartimento de arrumo com alumínio ou papel.
- Organize a comida e etiqüete para reduzir o número de vezes que abre o produto.

3 Estrutura e funções

3.1 Componentes chave



! (a imagem é representativa, pode não corresponder ao modelo)

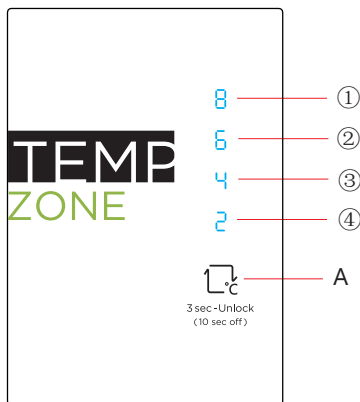
Câmara de Refrigeração


- A Câmara de Refrigeração é adequada para arrumos de frutas, legumes, bebidas e outro tipo de comidas em el corto tiempo.
- Não coloque comida no frigorífico já cozinhada, se não tiver arrefecido.
- Deve selar a comida antes de colocar no frigorífico.
- As prateleiras podem ser ajustadas.

Câmara de Congelación

- A câmara de congelación a baixa temperatura pode conservar a comida por muito tempo e é usada manualmente para conservar comida e fazer gelo.
- Pode conservar peixe, carne e de preferência em pequenas porções.

3.2 Funções



 (A imagem é para referência)

1) Chave

A. Programe a chave (botão de selecção de temperatura)

2) Display

1. Programar 1. 8°C
2. Programar 2. 6°C
3. Programar 3. 4°C
4. Programar 4. 2°C

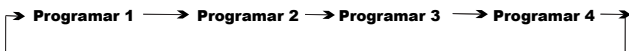
3) Display

Uma vez ligado, o display aparece por 3 segundos. E o produto corre no programa 3. Em caso de falha o LED pisca. Em caso de não ter falhas, mostra a temperatura programada actual.

Código erro	Descrição erro
Indicador 1	Sensor do circuito
Indicador 2	Sensor de descongelação do frigorífico
Indicador 3	Sensor de descongelação do congelador
Indicador 4	Sensor temperatura ambiente

4. Programar temperatura

Cada vez que o botão A de temperatura é premido, a programação muda uma vez. Após a temperatura estar completa, o frigorífico vai correr de acordo com a



5) Bloquear / Desbloquear

Quando o painel de controlo de temperatura está em modo bloqueado, deve premir a tecla de controlo de temperatura por 3 segundos para desbloquear. Todos os LED's piscam por 2 segundos no painel. Quando o painel de controlo de temperatura está em modo desbloqueado, se não existir nenhuma operação por 30 segundos, entra em modo bloqueio automaticamente.

6) Função desligar

1. Modo de entrada:

No modo de bloqueio, clique em SET por 10 seg (quando o display e controlo do frigorífico se desligar, o botão SET vai produzir efeito, quando a chave for solta). Após 30 seg, o frigorífico vai entrar em modo desligado.

2. Modo de saída:


Em modo desligar, clique em SET para sair do modo desligar e ele volta ao estado normal.

Manutenção e cuidados com o frigorífico

4.1 Limpeza geral

- As poeiras atrás do frigorífico, bem como no chão, devem ser limpas periodicamente de forma a melhorar o efeito de arrefecimento e a economia de energia.
- Verifique a borracha da porta regularmente para certificar de que não há detritos. Limpe-a com um pano macio humedecido em água e sabão ou detergente diluído em água.
- O interior do frigorífico deve ser limpo regularmente para evitar odores.
- Por favor, desligue o eletrodoméstico antes de limpar o interior, removendo todos os alimentos, bebidas, prateleiras, gavetas, etc.
- Use um pano macio ou uma esponja para limpar o interior do frigorífico com duas colheres de sopa de bicarbonato de sódio e um litro de água morna. Em seguida, lave com água e limpe. Após a limpeza abra a porta e deixe secar naturalmente antes de ligar.
- Nas áreas mais difíceis de limpar (zonas estreitas, brechas ou cantos) recomenda-se uma limpeza regular com um pano suave, uma esponja, etc., e quando necessário combinar com algumas ferramentas auxiliares (como varetas finas) para garantir que não se acumulem bactérias nessas áreas.
- Não use sabão, detergente, bicarbonatos, spray de limpeza, etc., visto que podem causar odores no interior do frigorífico ou contaminar os alimentos.
- Limpe a área de garrafeira, prateleiras e gavetas com um pano humedecido em água com sabão, detergente diluído na água, etc. Seque com um pano macio ou deixe secar ao ar.
- Limpe a superfície externa do frigorífico com um pano suave humedecido em água com sabão, detergente diluído na água, etc, e depois passe um pano seco.
- Não use esfregões, esfregões de aço inoxidável, escovas de arame, abrasivos (como pasta dos dentes), solventes orgânicos (como álcool, acetona, óleo de banana, etc.), água quente, produtos ácidos ou alcalinos, os quais podem danificar a superfície externa do frigorífico e o interior.
- Água quente e solventes orgânicos, como o benzeno, podem deteriorar ou danificar as zonas em plástico.
- Não enxague diretamente com água ou outros líquidos durante a limpeza, de forma a evitar curto circuito ou afetar o isolamento elétrico após imersão.




 Por favor desconecte o aparelho para descongelar e limpar

4.2 Descongelação

- O frigorífico é feito baseado no princípio de ar frio e na função de descongelação automática. O gelo que forma devido à mudança de estação pode ser também removido manualmente ao desligar o aparelho da corrente e limpar com uma toalha.

4.3 Fora de operação

- Falha de energia: em caso de falha de energia, mesmo no Verão, a comida ainda se conserva por várias horas.
- Muito tempo sem usar o produto, deve desligar o aparelho e limpar, e abrir as portas para prevenir odores.
- Mudança: antes de mudar o produto, retire todos os objectos, gavetas e prateleiras. Durante a mudança não pode deitar o frigorífico, nem vibrar o mesmo, a inclinação não deve ser maior do que 45°.

 O aparelho deve funcionar continuamente assim que inicia. Não deve interromper as operações. Caso contrário, põe em causa o tempo de serviço.

5 Resolução problemas

5.1 Pode tentar resolver os seguintes problemas por si.
Se não conseguir por favor contacte a assistência técnica.

Operação falhada	Verifique se o aparelho está conectado. Verifique se a voltagem não está muito baixa. Verifique se não houve uma falha de corrente.
Odor	Comida com odor deve estar bem selada. Verifique se não há comida estragada. Limpe o interior do frigorífico.
Compressor funciona há muito tempo	Operações longas no verão são normais. Não deve ter muita comida no aparelho. A comida deve estar fria antes de colocar no aparelho. As portas são muitas vezes abertas.
Falha a luz	Verifique que o produto está ligado. Verifique se a luz está danificada. Substitua a luz por um especialista.
As portas podem não estar fechadas	A porta está presa O frigorífico está bloqueado.
Barulho elevado	Verifique se o chão está nivelado e se o frigorífico está estável. Veja se os acessórios estão bem colocados.
Isolamento da porta não está apertado	Retire elementos externos do isolamento da porta.
Derrame de água	Está a armazenar demasiada comida ou a mesma tem água, numa descongelação forte. As portas não estão bem fechadas.
Casa quente	Dissipação de calor do condensador, é normal. Quando a casa fica demasiado quente, deve conseguir uma ventilação de som para facilitar a dissipação de calor.
Condensação na superfície	Condensação na superfície exterior devido a humidade bastante alta. Limpe o condensador com um pano.
Barulho anormal	Buzz: O compressor faz algum barulho, particularmente no start e no stop, é normal.